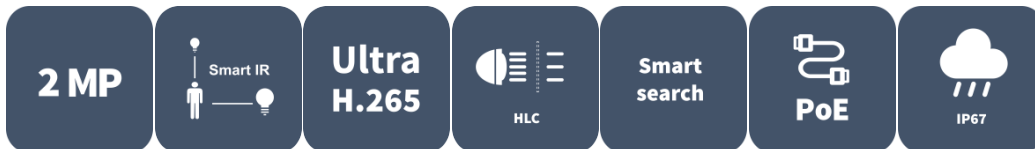


2MP Mini Fixed Bullet Network Camera

IPC2122LB-SF28(40)-A



Features

- High quality image with 2MP, 1/2.8" CMOS sensor
- 2MP (1920*1080)@ 30/25fps; 720P (1280*720)@ 30/25fps
- Ultra 265, H.265, H.264
- Smart IR, up to 30m (98ft) IR distance
- Day/night functionality
- 2D/3D DNR (Digital Noise Reduction)
- IP67 protection
- Support PoE power supply
- 3-Axis

Specifications

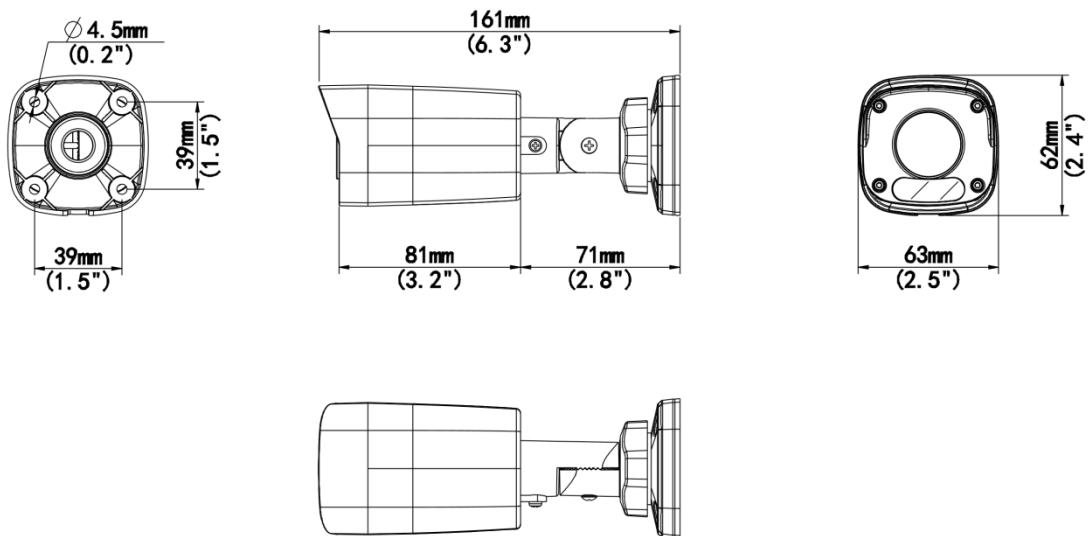
Model	IPC2122LB-SF28-A	IPC2122LB-SF40-A
Camera		
Max Resolution	2 MP	
Sensor	1/2.8" CMOS	
Min. Illumination	Colour: 0.01 lux (F2.0, AGC ON) 0 lux with IR on	
Day/Night	IR-cut filter with auto switch (ICR)	

Shutter	Auto/Manual, 1 ~ 1/100000s	
Adjustment Angle	Pan: 0° ~ 360°, Tilt: 0° ~ 90°, Rotate: 0° ~ 360°	
S/N	>52 dB	
WDR	DWDR	
Lens		
Focal Length	2.8 mm	4.0 mm
Iris Type	Fixed	
Iris	F2.0	
Field of View (H)	101.1°	82.5°
Field of View (V)	56.5°	44.5°
Field of View (D)	117°	93°
DORI		
DORI Distance (Lens)	2.8mm	4.0mm
DORI Distance (Detect)	45.0m(147.6ft)	64.3m(210.9ft)
DORI Distance (Observe)	18.0m(59.1ft)	24.8m(81.4ft)
DORI Distance (Recognize)	9.0m(29.5ft)	12.4m(40.7ft)
DORI Distance (Identify)	4.5m(14.8ft)	6.2m(20.3ft)
Illuminator		
Supplemental Light	IR	
Illumination Distance (IR)	30 m (98.4 ft)	
Wavelength	850 nm	
IR On/Off Control	Auto/Manual	
Video		
Video Compression	Ultra 265, H.265, H.264	
H.264 Code Profile	Baseline profile, Main profile, High profile	
Frame Rate	Main Stream: 1080P (1920*1080), Max 30fps; 720P (1280*720), Max 30fps; Sub Stream: D1 (720*576), Max 30fps; 640*360,Max 30fps; 2CIF(704*288), Max 30fps; CIF(352*288), Max 30fps;	
Video Bit Rate	128 Kbps to 6144 Kbps	
U-code	Support (Main stream)	
OSD	Up to 4 OSDs	
Privacy Mask	Up to 4 areas	
ROI	Support	
Video Stream	Dual Streams	
Image		
White Balance	Auto, Outdoor, Fine Tune, Sodium Lamp, Locked, Auto2	

Digital Noise Reduction	2D/3D DNR
Smart IR	Support
Flip	Normal, Flip Vertical, Flip Horizontal, 180°
Dewarping	N/A
HLC	Support
BLC	Support
Defog	Digital Defog
Events	
Basic Detection	Motion Detection
General Function	Watermark, IP Address Filtering, Access Policy, ARP Protection, RTSP Authentication, User Authentication, HTTP Authentication
Network	
Protocols	IPv4, IGMP, ICMP, ARP, TCP, UDP, DHCP, RTP, RTSP, RTCP, RTMP, DNS, DDNS, NTP, UPnP, HTTP
Compatible Integration	ONVIF (Profile S, Profile T), API, SDK
User/Host	Up to 32 users, 2 user levels: administrator and common user
Security	Password Protection, Strong Password, HTTPS Encryption, Export Operation Logs, Basic and Digest Authentication for RTSP, Digest Authentication for HTTP, WSSE and Digest Authentication for ONVIF
Client	EZStation, EZView, EZLive
Web Browser	Plug-in free live view: Chrome 57+, Firefox 58+, Edge 16+
Interface	
Audio I/O	N/A
Alarm I/O	N/A
Serial Port	N/A
Built-in Mic	N/A
Built-in Speaker	N/A
WIFI	N/A
Network	1 × RJ45 10 M/100 M Base-TX Ethernet
Video Output	N/A
Certification	
EMC	CE-EMC (EN 55032, EN 61000-3-3, EN IEC 61000-3-2, EN 55035) FCC (FCC 47 CFR part15 B)
Safety	CE LVD (EN 62368-1) CB (IEC 62368-1) UL/CUL (UL 62368-1, CAN/CSA C22.2 No. 62368-1)
Environment	CE-RoHS (2011/65/EU;(EU)2015/863); WEEE (2012/19/EU);
Protection	IP67 (IEC 60529)
General	
Power	DC 12V±25%, PoE (IEEE 802.3af)
Power Consumption	Max 5.5W
Power Interface	Ø5.5 mm coaxial power plug

Dimensions	161 × 63 × 62mm (6.4" × 2.5" × 2.4") (L x W x H)
Weight	0.27kg (0.60lb)
Material	Graphene + Plastic
Working Environment	-30 °C to 60 °C (-22 °F to 140 °F), Humidity: ≤ 95% RH (non-condensing)
Storage Environment	-30 °C to 60 °C (-22 °F to 140 °F), Humidity: ≤ 95% RH (non-condensing)
Surge Protection	4 KV
Reset Button	N/A
Web Client Language	1 Language: English

Dimensions



Accessories

TR-JB05-A-IN

Small Bullet Junction Box(Support wiring from behind,Square)



TR-UP06-B-IN

Bullet Pole Mounting Bracket



TR-UP06-C-IN

Pole Mounting Bracket for Bullet Junction Box Only



TR-A01-IN

NPT 3/4" Waterproof Cable Gland



TR-UC08-C

Bullet&Dome Corner Mounting Bracket



Zhejiang Uniview Technologies Co., Ltd.

No. 369, Xietong Road, Xixing Sub-district, Binjiang District, Hangzhou City, 310051, Zhejiang Province, China (Zhejiang) Pilot Free Trade Zone, China

Email: overseasbusiness@uniview.com; globalsupport@uniview.com

<http://www.uniview.com>

©2023-2025 Zhejiang Uniview Technologies Co., Ltd. All rights reserved.

*Product specifications and availability are subject to change without notice.

*Despite our best efforts, technical or typographical errors may exist in this document. Uniview cannot be held responsible for any such errors and reserves the right to change the contents of this document without prior notice.