

2MP HD ColorHunter Mini Fixed Bullet Network Camera

IPC2122LB-AF28(40)K-WL



Key Features



- High quality image with 2MP, 1/2.9"CMOS sensor
- 2MP (1920*1080)@30/25fps; 720P (1280*720)@30/25fps
- Ultra H.265,H.265, H.264
- Built-in Mic
- Warm Light, up to 30m (98ft) warm light distance
- 2D/3D DNR (Digital Noise Reduction)
- Support 128GB Micro SD card
- IP67 protection
- Support PoE power supply
- 3-Axis

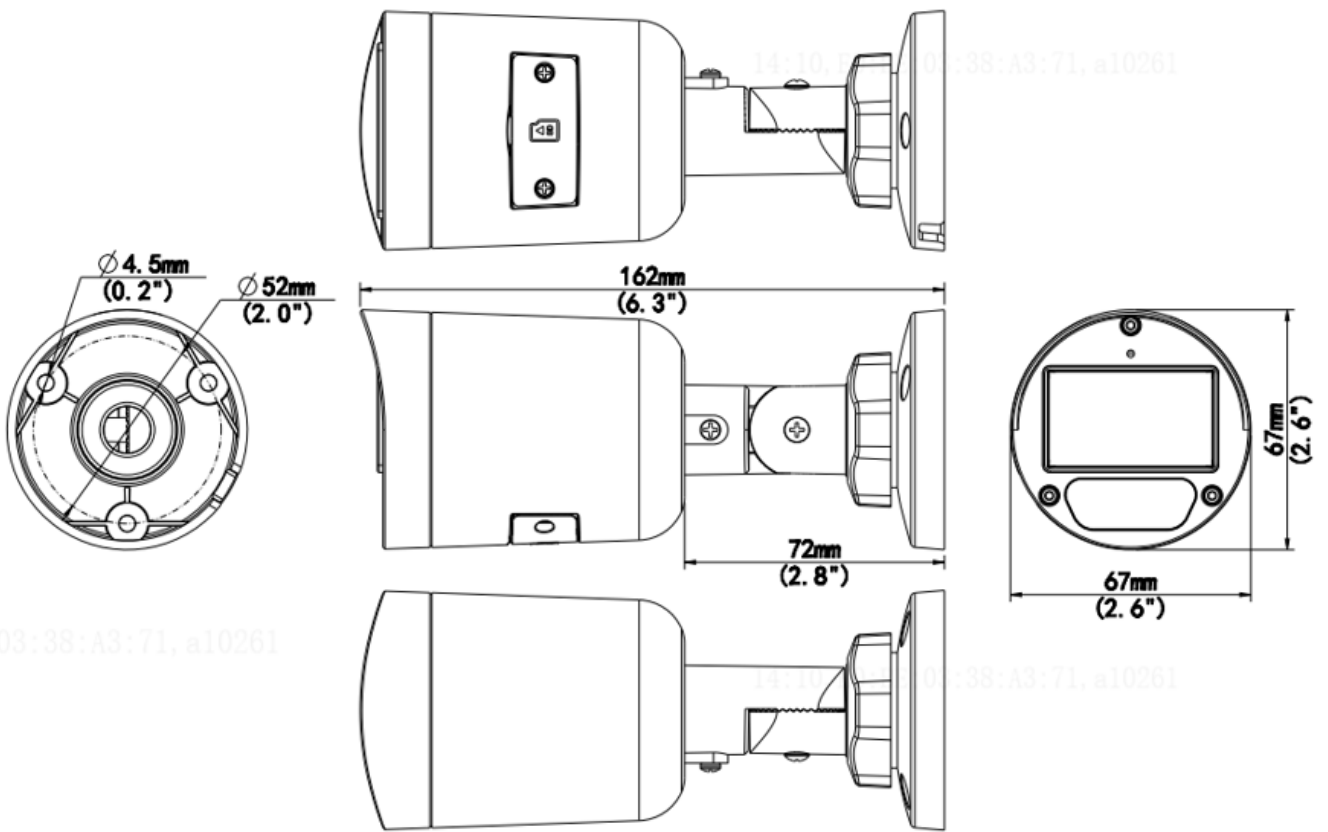
Specifications

	IPC2122LB-AF28K-WL	IPC2122LB-AF40K-WL			
Camera					
Sensor	1/2.9", 2.0 megapixel, progressive scan, CMOS				
Minimum Illumination	Colour: 0.005 lux (F1.6, AGC ON)				
Shutter	Auto/Manual, 1 ~ 1/100000s				
Adjustment Angle	Pan: 0° ~ 360°	Tilt: 0° ~ 90°		Rotate: 0° ~ 360°	
WDR	DWDR				
S/N	>52dB				
Lens					
Lens type	2.8mm@F1.6	4.0mm@F1.6			
Iris	Fixed				
Field of View (H)	101.1°	83.7°			
Field of View (V)	55.0°	44.6°			
Field of View (D)	111.0°	89.1°			
DORI					
DORI Distance	Lens (mm)	Detect (m)	Observe (m)	Recognize (m)	Identify (m)
	2.8	45.0(147.6ft)	18.0(59.1ft)	9.0(29.5ft)	4.5(14.8ft)
	4.0	64.3(210.9ft)	25.7(84.4ft)	12.9(42.2ft)	6.4(21,1ft)
Illuminator					
Warm Light Range	Up to 30m (98ft)				
Light On/Off Control	Auto/Manual				
Video					
Video Compression	Ultra H.265,H.265, H.264				
Frame Rate	Main Stream: 2MP (1920*1080),Max 30fps; 720P (1280*720),Max 30fps Sub Stream: D1 (720*576), Max 30fps; 640*360,Max 30fps; 2CIF(704*288), Max 30fps; CIF(352*288), Max 30fps				
H.264 code profile	Baseline profile, Main profile, High profile				
Video Bit Rate	128 Kbps~6144Kbps				
U-code	Support(Main stream)				
OSD	Up to 4 OSDs				
Privacy Mask	Up to 4 areas				
ROI	Up to 8 areas				
Video stream	Dual streams				
Image					
White Balance	Auto/Outdoor/Fine Tune/Sodium Lamp/Locked/Auto2				
Digital noise reduction	2D/3D DNR				
Smart Illumination	Support				
Flip	Normal/Flip Vertical/Flip Horizontal/180°				
Dewarping	N/A				
HLC	Support				
BLC	Support				
Defog	Digital Defog				
Events					
Basic Detection	Motion detection, Audio Detection				

General Function	Watermark, IP Address Filtering, Access Policy, ARP Protection, RTSP Authentication, User Authentication, HTTP Authentication
Audio	
Audio Compression	G.711U, G.711A
Audio Bitrate	64 Kbps
Two-way Audio	N/A
Suppression	Support
Sampling Rate	8KHz
Storage	
Edge Storage	Micro SD, up to 128 GB
Network	
Protocols	IPv4, IGMP, ICMP, ARP, TCP, UDP, DHCP, RTP, RTSP, RTCP, RTMP, DNS, DDNS, NTP, UPnP, HTTP, HTTPS, QoS, ,SSL/TLS
Compatible Integration	ONVIF (Profile S, Profile T, Profile G), API, SDK
User/Host	Up to 32 users. 2 user levels: administrator and common user
Security	Password protection, strong password, HTTPS encryption, Export operation logs, basic and digest authentication for RTSP, digest authentication for HTTP, TLS 1.2, WSSE and digest authentication for ONVIF
Client	EZStation EZLive EZView
Web Browser	Plug-in required live view: IE 10 and above, Chrome 45 and above, Firefox 52 and above, Edge 79 and above
	Plug-in free live view: Chrome 57.0 and above, Firefox 58.0 and above, Edge 16 and above
Interface	
Audio I/O	N/A
Alarm I/O	N/A
Serial Port	N/A
Built-in Mic	Support
Built-in Speaker	N/A
WIFI	N/A
Network	1 * RJ45 10M/100M Base-TX Ethernet
Video Output	N/A
Certification	
EMC	CE-EMC (EN 55032, EN 61000-3-3, EN IEC 61000-3-2, EN 50130) FCC (FCC 47 CFR part 15 B)
Safety	CE LVD (EN 62368-1) CB (IEC 62368-1) UL/CUL (UL 62368-1, CAN/CSA C22.2 No. 62368-1)
Environment	CE-RoHS (2011/65/EU; (EU)2015/863); WEEE (2012/19/EU)
Protection	IP67 (IEC 60529)
General	
Power	DC12V(±25%), PoE(IEEE 802.3af)
	Power consumption: Max 7.8W
Power Interface	Ø 5.5mm coaxial power plug
Dimensions (L x W x H)	162 × 67 × 67mm (6.4" × 2.6" × 2.6")
Weight	0.24kg(0.53lb)
Material	Metal + Plastic
Working Environment	-30°C ~ 60°C (-22°F ~ 140°F), Humidity: ≤95% RH (non-condensing)
Storage Environment	-30°C ~ 60°C (-22°F ~ 140°F), Humidity: ≤95% RH (non-condensing)

Surge protection	4KV
Reset button	N/A

Dimensions



Accessories

TR-JB05-B-IN

Junction Box



TR-UP06-C-IN

Pole Mount



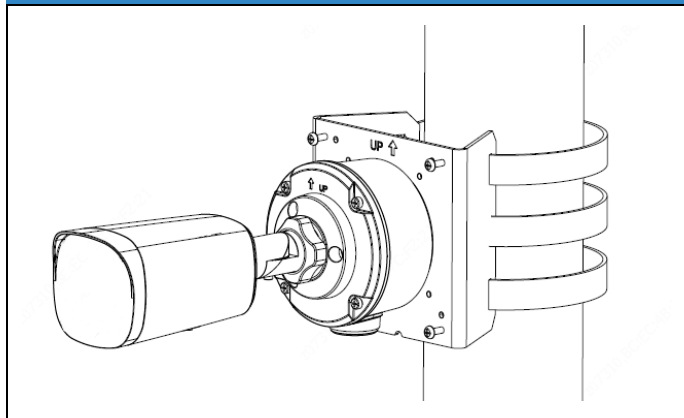
TR-A01-IN

Waterproof Joint



Pole Mount

TR-JB05-B-IN+ TR-UP06-C-IN



Zhejiang Uniview Technologies Co., Ltd.

Building No. 369, Xietong Road, Xixing Sub-district, Binjiang District, Hangzhou City, Zhejiang Province, China (310051)

Email: overseasbusiness@uniview.com; globalsupport@uniview.com

<http://www.uniview.com>

©2022 Zhejiang Uniview Technologies Co., Ltd. All rights reserved.

*Product specifications and availability are subject to change without notice.