

IPC-B449HA-LU

4 MP ColorVu with Smart Hybrid Light Fixed Bullet Network Camera

## ColorVu



- High quality imaging with 4 MP resolution
- Support Human and Vehicle Detection
- Smart Hybrid Light: advanced technology with long range
- Efficient H.265+ compression technology
- Built-in microphone for real-time audio security
- Water and dust resistant (IP67)

## ▪ Specification

| Camera                      |  |
|-----------------------------|--|
| Image Sensor                | 1/3" Progressive Scan CMOS   |
| Max. Resolution             | 2560 × 1440  |
| Min. Illumination           | Color: 0.0005 Lux @ (F1.0, AGC ON), B/W: 0 Lux with IR   |
| Shutter Time                | 1/3 s to 1/100,000 s   |
| Day & Night                 | IR cut filter  |
| Angle Adjustment            | Pan: 0° to 355°, tilt: 0° to 180°, rotate: 0° to 355°  |
| Lens                        |  |
| Lens Type                   | Fixed focal lens, 2.8 and 4 mm optional  |
| Focal Length & FOV          | 2.8 mm, horizontal FOV 96°, vertical FOV 52°, diagonal FOV 114°<br>4 mm, horizontal FOV 80°, vertical FOV 43°, diagonal FOV 93°          |
| Lens Mount                  | M12  |
| Iris Type                   | Fixed  |
| Aperture                    | F1.0   |
| DORI                        |  |
| DORI                        | 2.8 mm, D: 44 m, O: 17 m, R: 8 m, I: 4 m<br>4 mm, D: 53 m, O: 21 m, R: 10 m, I: 5 m  |
| Illuminator                 |  |
| Supplement Light Type       | IR, White Light  |
| Supplement Light Range      | Up to 50 m   |
| Smart Supplement Light      | Yes  |
| IR Wavelength               | 850 nm   |
| Video                       |  |
| Main Stream                 | 50 Hz:<br>20 fps (2560 × 1440)<br>25 fps (1920 × 1080, 1280 × 720)<br>60 Hz:<br>20 fps (2560 × 1440)<br>24 fps (1920 × 1080, 1280 × 720) |
| Sub-Stream                  | 50 Hz: 25 fps (1280 × 720, 640 × 480, 640 × 360)<br>60 Hz: 24 fps (1280 × 720, 640 × 480, 640 × 360)                                     |
| Video Compression           | Main stream: H.265+/H.265/H.264+/H.264,<br>Sub-stream: H.265/H.264/MJPEG   |
| Video Bit Rate              | 32 Kbps to 8 Mbps  |
| H.264 Type                  | Baseline Profile, Main Profile, High Profile   |
| H.265 Type                  | Main Profile   |
| Bit Rate Control            | CBR, VBR   |
| Scalable Video Coding (SVC) | H.264 and H.265 encoding   |
| Region of Interest (ROI)    | 1 fixed region for main stream   |
| Audio                       |  |
| Audio Type                  | Mono sound   |
| Audio Compression           | G.711/G.722.1/G.726/MP2L2/PCM/AAC-LC   |
| Audio Bit Rate              | 64 Kbps (G.711)/16 Kbps (G.722.1)/16 Kbps (G.726)/32 to 160 Kbps (MP2L2)/16 to 64 Kbps (AAC-LC)  |
| Audio Sampling Rate         | 8 kHz/16 kHz   |

|                                  |  |
|----------------------------------|--|
| Environment Noise Filtering      | Yes  |
| <b>Network</b>                   |  |
| Protocols                        | IPv4, IPv6, TCP/IP, ICMP, DHCP, DNS, HTTP, RTP, RTSP, RTCP, NTP, IGMP, UDP, QoS, FTP, SMTP, UPnP   |
| Simultaneous Live View           | Up to 6 channels   |
| API                              | Open Network Video Interface (Profile S, Profile T), ISAPI, SDK  |
| Security                         | Password protection, complicated password, watermark, basic and digest authentication for HTTP, WSSE and digest authentication for Open Network Video Interface, security audit log, host authentication (MAC address) |
| User/Host                        | Up to 32 users<br>3 user levels: administrator, operator, and user   |
| Client                           | iVMS-4200, HiLookVision  |
| Web Browser                      | Plug-in required live view: IE 10, IE 11,<br>Local service: Chrome 57.0+, Firefox 52.0+, Edge 89+  |
| <b>Image</b>                     |  |
| Image Settings                   | Rotate mode, saturation, brightness, contrast, sharpness, gain, white balance, adjustable by client software or web browser  |
| Day/Night Switch                 | Day, Night, Auto, Schedule   |
| Wide Dynamic Range (WDR)         | 120 dB   |
| SNR                              | ≥ 52 dB  |
| Image Enhancement                | BLC, HLC, 3D DNR   |
| Privacy Mask                     | 4 programmable polygon privacy masks   |
| <b>Interface</b>                 |  |
| Ethernet Interface               | 1 RJ45 10 M/100 M self-adaptive Ethernet port  |
| Built-in Microphone              | Yes, 1 built-in microphone   |
| <b>Event</b>                     |  |
| Basic Event                      | Motion detection (support alarm triggering by specified target types (human and vehicle)), video tampering alarm, exception  |
| Linkage                          | Upload to FTP, notify surveillance center, send email, trigger capture   |
| <b>General</b>                   |  |
| Power                            | 12 VDC ± 25%, 0.57 A, max. 6.8 W, Ø5.5 mm coaxial power plug, reverse polarity protection,<br>PoE: IEEE 802.3af, Class 3, max. 8.3 W   |
| Material                         | Front cover: metal, body: plastic, bracket: plastic  |
| Dimension                        | 81 mm × 83.7 mm × 201.96 mm (3.17" × 3.29" × 7.95")  |
| Package Dimension                | 150 mm × 150 mm × 141 mm (5.91" × 5.91" × 5.55")   |
| Weight                           | Approx. 490 g (1.1 lb.)  |
| With Package Weight              | Approx. 710 g (1.6 lb.)  |
| Storage Conditions               | -30 °C to 60 °C (-22 °F to 140 °F). Humidity 95% or less (non-condensing)  |
| Startup and Operating Conditions | -30 °C to 60 °C (-22 °F to 140 °F). Humidity 95% or less (non-condensing)  |
| Language                         | English, Ukrainian   |
| General Function                 | Heartbeat, anti-banding, mirror, password protection, password reset via email   |

| Approval    |   |
|-------------|---|
| EMC         | CE-EMC: EN 55032:2015+A1:2020, EN 50130-4:2011+A1:2014, EN IEC 61000-3-2:2019+A1:2021, EN 61000-3-3:2013+A1:2019+A2:2021, RCM: AS/NZS CISPR 32: 2015, IC: ICES-003: Issue 7 |
| Safety      | CB: IEC 62368-1: 2014+A11, CE-LVD: EN 62368-1: 2014/A11: 2017   |
| Environment | CE-RoHS: 2011/65/EU, WEEE: 2012/19/EU, Reach: Regulation (EC) No 1907/2006  |
| Protection  | IP67: IEC 60529-2013  |

### ▪ Typical Application

Hikvision products are classified into three levels according to their anti-corrosion performance. Refer to the following description to choose for your using environment.

This model has NO SPECIFIC PROTECTION.

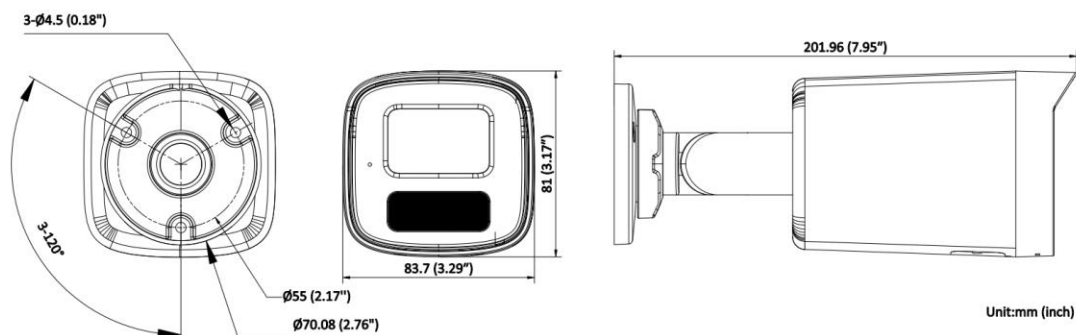
| Level                  | Description  |
|------------------------|--|
| Top-level protection   | Hikvision products at this level are equipped for use in areas where professional anti-corrosion protection is a must. Typical application scenarios include coastlines, docks, chemical plants, and more.   |
| Moderate protection    | Hikvision products at this level are equipped for use in areas with moderate anti-corrosion demands. Typical application scenarios include coastal areas about 2 kilometers (1.24 miles) away from coastlines, as well as areas affected by acid rain. |
| No specific protection | Hikvision products at this level are equipped for use in areas where no specific anti-corrosion protection is needed.  |

### ▪ Available Model




IPC-B449HA-LU(2.8mm)

IPC-B449HA-LU(4mm)

### ▪ Dimension



- Accessory
- Optional

| DS-1275ZJ-SUS<br>Vertical pole mount  | DS-1276ZJ-SUS<br>Corner mount   | DS-1280ZJ-XS<br>Junction box  |
|---|---|---|
|  |  |  |

**Headquarters**

No.555 Qianmo Road, Binjiang District,  
Hangzhou 310051, China  
T +86-571-8807-5998  
Technical Support: support@hikvision.com

Follow us on social media to get the latest product and solution information.

