

All rights reserved.

The information in this document is subject to change without notice.

Publish statement

Thank you for purchasing this series UPS.

This series UPS is an intelligent, three phase in Three phase out, high frequency online UPS designed by our R&D team who is with years of designing experiences on UPS.

With excellent electrical performance, perfect intelligent monitoring and network functions, smart appearance, complying with EMC and safety standards, The UPS meets the world's advanced level.

Read this manual carefully before installation

This manual provides technical support to the operator of the equipment.

Contents

1. Safety	2
1.1 Safety notes	2
1.2 Symbols used in this guide.....	2
2. Main Features	3
2.1 Summarization.....	3
2.2 Functions and Features	3
3. Installation	4
3.1 Unpack checking	4
3.2 The appearance of the product.....	4
3.3 UPS module appearance	8
3.4 Installation notes	9
3.5 External Protective Devices	10
3.6 Power Cables	10
3.7 Power cable connect.....	13
3.9 Battery connection	14
3.10 Online UPS Modules Replacement.....	15
3.11 UPS Multi - Module Installation	16
3.11.1 Cabinet installation	16
3.11.2 Parallel cable installation	17
3.12 LBS installation (optional).....	17
3.12.1 LCD setting	17
3.12.2 LBS cable installation	17
3.12.3 UPS installation	17
4. Operation	18
4.1 Operation Modes	18
4.2 Turn on/off UPS	20
4.2.1 Restart procedure.....	20
4.2.2 Test procedure	21
4.2.3 Cold start procedure.....	21
4.2.4 MAINTENANCE BYPASS	22
4.2.5 Shut down procedure.....	22
4.2.6 Startup procedure for parallel system	23
4.3 The Display	24
4.4 Display Messages/Troubleshooting.....	51
4.5 Options	54
Appendix 1 Specifications	55
Appendix 2 Problems and Solution	57
Appendix 3 RS232 communication port definition	59
Appendix 4 RS485 communication port definition	60
Appendix 5 BAT_T communication port definition	61
Appendix 6 LBS port definition	61
Appendix 7 REPO instruction	62
Appendix 8 Dry contact ports	63
Appendix 9 Backfeed Protection	66

1. Safety

Important safety instructions – Save these instructions

There exists dangerous voltage and high temperature inside the UPS. During the installation, operation and maintenance, please abide the local safety instructions and relative laws, otherwise it will result in personnel injury or equipment damage. Safety instructions in this manual act as a supplementary for the local safety instructions. Our company will not assume the liability that caused by disobeying safety instructions.

1.1 Safety notes

1. Even no connection with utility power, 220/230/240VAC voltage may still exist at UPS outlet!
2. For the sake of human being safety, please well earth the UPS before starting it.
3. Don't open or damage battery, for the liquid spilled from the battery is strongly poisonous and do harmful to body!
4. Please avoid short circuit between anode and cathode of battery, otherwise, it will cause spark or fire!
5. Don't disassemble the UPS cover, or there may be an electric shock!
6. Check if there exists high voltage before touching the battery
7. Working environment and storage way will affect the lifetime and reliability of the UPS. Avoid the UPS from working under following environment for long time
 - ◆ Area where the humidity and temperature is out of the specified range (temperature 0 to 40°C, relative humidity 5%-95%)
 - ◆ Direct sunlight or location nearby heat
 - ◆ Vibration Area with possibility to get the UPS crashed.
 - ◆ Area with erosive gas, flammable gas, excessive dust, etc
8. Keep ventilations in good conditions otherwise the components inside the UPS will be over-heated which may affect the life of the UPS.

1.2 Symbols used in this guide



WARNING!

Risk of electric shock



CAUTION!

Read this information to avoid equipment damage

2. Main Features

2.1 Summarization

Our UPS is a kind of three-in- three -out high frequency online UPS, it provides three specifications: The 30-150kVA. The products are modularized and adopt the N+X redundancy. It can flexibly increase the number of the UPS modules according to the load capacity which is convenient for flexible allocation and gradually investment.

The UPS can solve most of the power supply problems, such as blackout, over-voltage, under-voltage, voltage sudden drop, oscillating of decreasing extent, high voltage pulse, voltage fluctuation, surge, inrush current, harmonic distortion (THD), noise interference, frequency fluctuation, etc..

This UPS can be applied to different applications from computer device, automatic equipment, communication system to industry equipment

2.2 Functions and Features

Digital control

19-inch standard cabinet

1.2-meter high cabinets are provided according to the user's requirement.

Modularized design

High power-density design

The height of the single module is 2U.

N+X parallel redundancy

This series UPS adopts N+X parallel redundancy design, user can set different redundancy according to the importance of the load. While the redundancy modules are set more than two, the availability of UPS system will achieve 99.999%, which may satisfy the required reliability of the critical load connected. Through LCD display setting, you may configure the required quantity of the redundancy unit. When the load connected is over the number of the redundancy, the UPS will alert right away. The design of the MTBF (Meantime before Failure) is up to 250,000 hours.

This series can set the number of redundancy modules. When the load exceeds the redundancy setting, the UPS can still work normally and simultaneously send out corresponding warning as long as the load doesn't exceed the total capacity of modules.

Parallel redundant control system

Optimizing distributed convergence for the cabinet

Centralized bypass

Common Battery

Automatic charge current adjustment according to battery capacity connected.

3-Stage intelligent charging

Touch-screen Super-large LCD display

Remote monitoring via SNMP

Optional Accessories available such as Isolation transformer, distribution Panel, SNMP Card, Relay Contact Board, etc...

Equip with Maintenance Bypass Switch for easy maintenance purpose.

Superior MTTR (Meantime to repair) & Short shutdown time in maintenance

Centralized monitoring module is also available

- EPO and REPO function

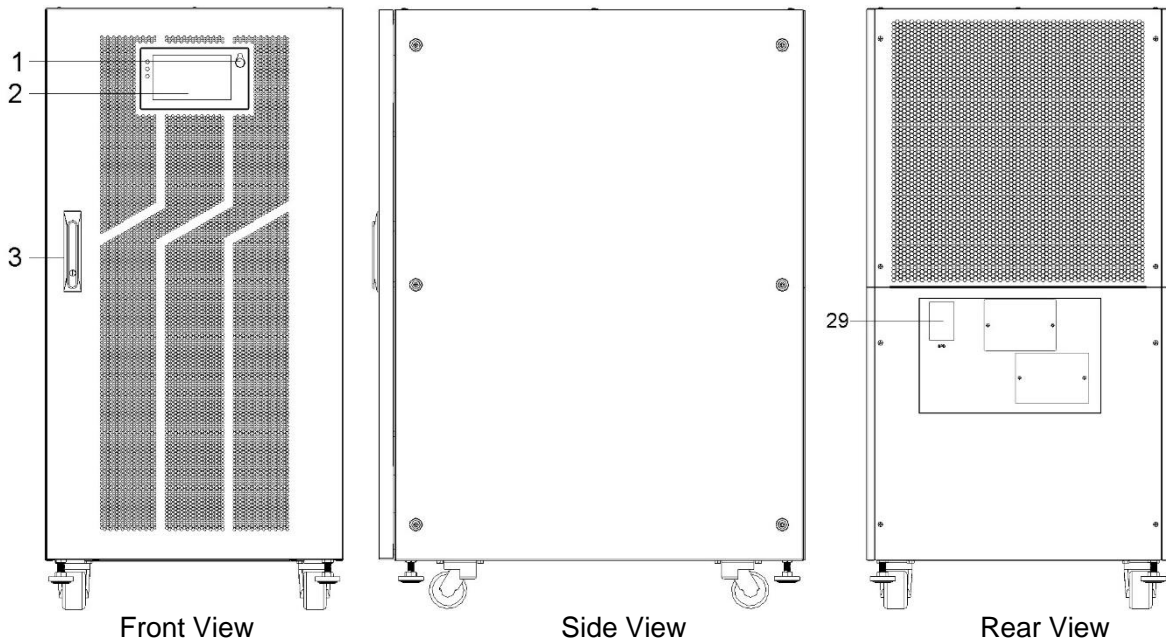
3. Installation

3.1 Unpack checking

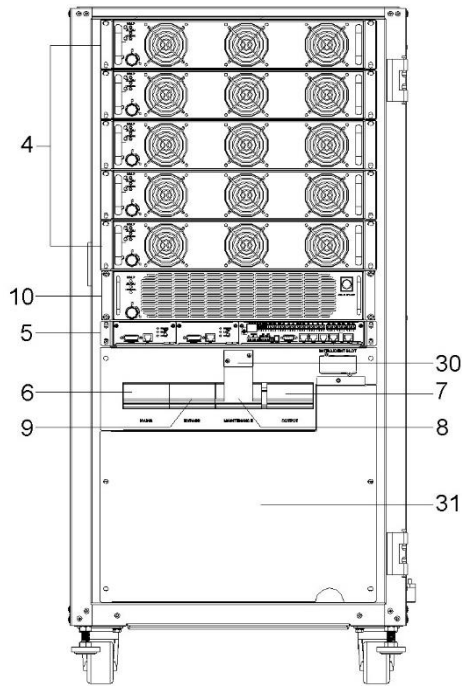
1. Don't lean the UPS when moving it out from the packaging
2. Check the appearance to see if the UPS is damaged or not during the transportation, do not switch on the UPS if any damage found. Please contact the dealer right away.
3. Check the accessories according to the packing list and contact the dealer in case of missing parts.

3.2 The appearance of the product

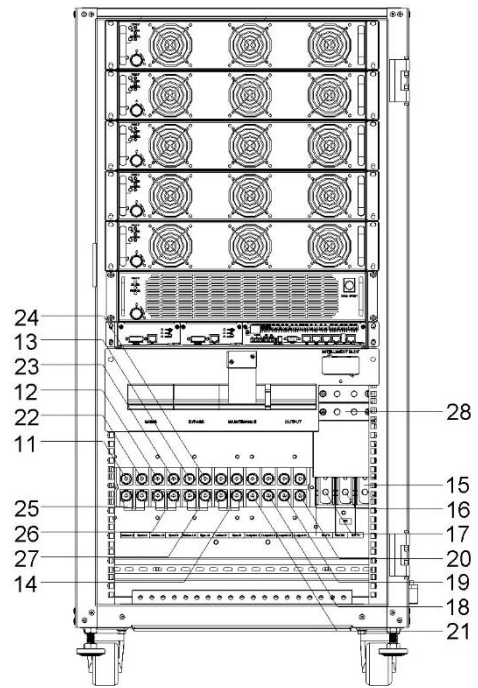
30-150kVA, bottom entry



30kVA-75kVA



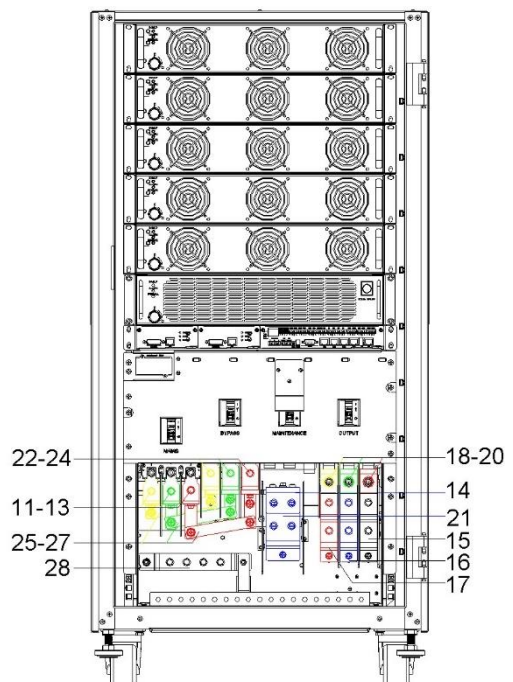
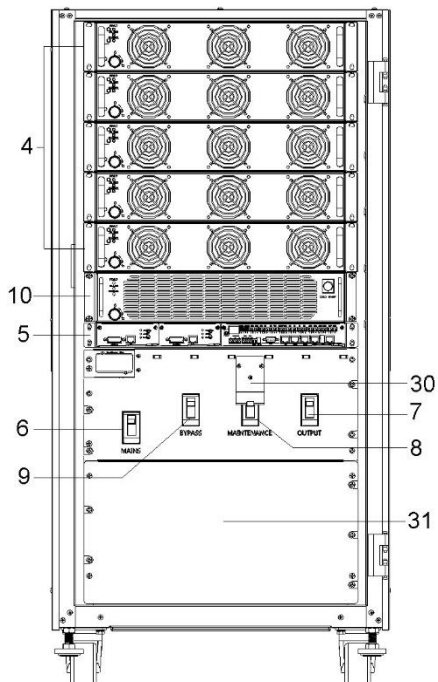
Front View(Open door)



Cabling

Power module	Power module slot	Cabinet power	Remark
10kVA	3	30kVA	Slot 4 and 5 are not available
	5	50kVA	All slots are available
15kVA	3	45kVA	Slot 4 and 5 are not available
	5	75kVA	All slots are available
20kVA	3	60kVA	Slot 4 and 5 are not available
25kVA	3	75kVA	Slot 4 and 5 are not available
30kVA	2+1	60kVA	Slot 4 and 5 are not available

90kVA-150kVA



Front View(Open door)

Cabling

Power module	Power module slot	Cabinet power	Remark
20kVA	5	100kVA	All slots are available
25kVA	5	125kVA	All slots are available
30kVA	2+1	90kVA	Slot 4 and 5 are not available
	5	150kVA	All slots are available

(1) EPO key

(2) LCD panel : Display UPS data and status

(3) Front door lock

(4) Power module

(5) Control unit

(6) Mains switch

(7) Output switch

(8) Maintenance switch

(9) Bypass switch

(10) Bypass module

(11) Mains-A input copper bar

(12) Mains-B input copper bar

(13) Mains-C input copper bar

(14) Input neutral copper bar

(15) Battery negative copper bar

(16) Battery neutral copper bar

(17) Battery positive copper bar

(18) Output-A input copper bar

(19) Output-B input copper bar

(20) Output-C input copper bar

(21) Output neutral copper bar

(22) Bypass-A input copper bar : Wiring must be used when mains-bypass separation

(23) Bypass-B input copper bar : Wiring must be used when mains-bypass separation

(24) Bypass-C input copper bar : Wiring must be used when mains-bypass separation

(25) Phase A mains-bypass common input connect copper bar

(26) Phase B mains-bypass common input connect copper bar

(27) Phase C mains-bypass common input connect copper bar

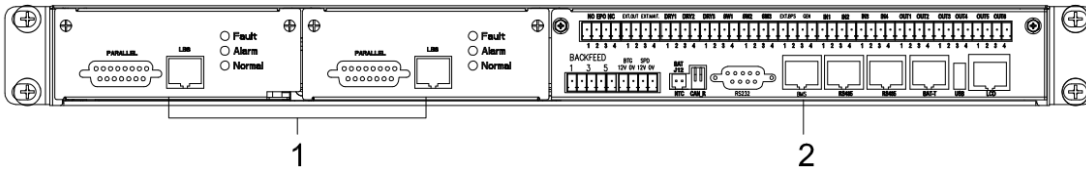
(28) Grounding copper bar

(29) SPD (Optional)

(30) Maintenance bypass switch cover

(31) Distribution cover

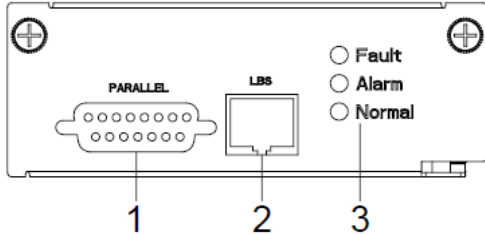
Control unit



(1) ECU1/2 : Centralized control unit

(2) monitor unit

ECU unit

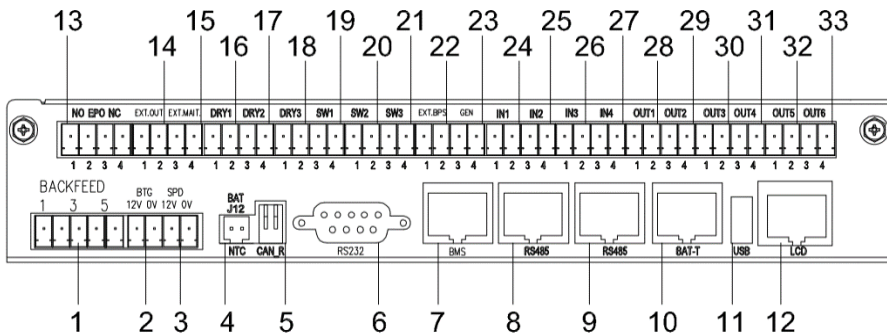


(1) PARALLEL port

(2) LBS port

(3) LED

Monitor unit



(1) BACKFEED: Bypass backfeed signal input port, PIN1_common, PIN3_NO, PIN5_NC

(2) BTG: Battery grounding detect signal input port, 12V_power supply, 0V_GND

(3) SPD: SPD detect signal input port, 12V_power supply, 0V_GND

(4) BAT_T: NTC temperature sensor port

(5) R-CAN: CAN communication resistor adjust

(6) RS232: RS232 communication port

(7) BMS: Communicate to Li battery BMS, include CAN and RS485 signal

(8) RS-485: RS485 communication port, parallel to 19

(9) RS-485: RS485 communication port, parallel to 18

(10) BAT_T: battery temperature sensor port (RS485)

(11) USB: For software update and history download

(12) LCD: For LCD power supply and data communication

(13) EPO: NO-12V: Normally open port; NC-12V : normally close port;

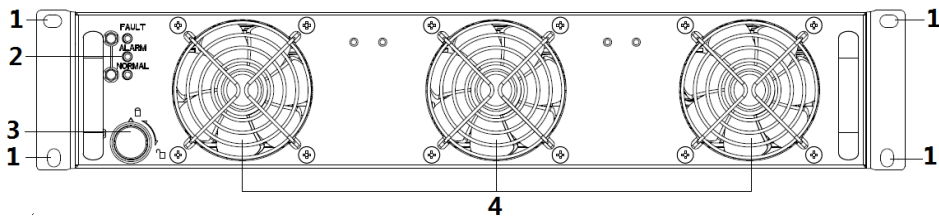
(14) EXT.OUT: External output breaker auxiliary contact signal port, PIN1: 12Vdc, PIN2:GND

(15) EXT.MAINT: External maintenance breaker auxiliary contact signal port, PIN1: 12Vdc, PIN2:GND

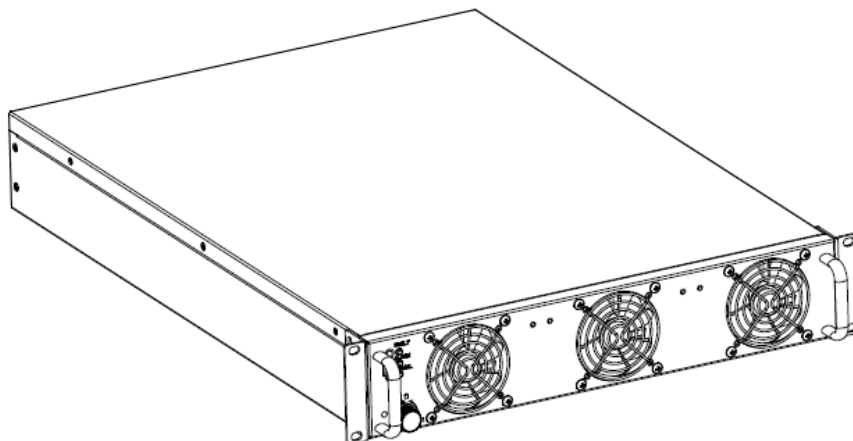
(16) DRY1: Battery group 1 breaker driver signal output port PIN1: 24Vdc, PIN2:GND

-
- (17) DRY2: Battery group 2 breaker driver signal output port PIN3: 24Vdc, PIN4:GND
-
- (18) DRY3: Battery group 3 breaker driver signal output port PIN1: 24Vdc, PIN2:GND
-
- (19) SW1: Battery group 1 breaker auxiliary contact signal port, PIN3: 12Vdc, PIN4:GND
-
- (20) SW2: Battery group 2 breaker auxiliary contact signal port, PIN1: 12Vdc, PIN2:GND
-
- (21) SW3: Battery group 3 breaker auxiliary contact signal port, PIN3: 12Vdc, PIN4:GND
-
- (22) EXT.BPS: External bypass breaker auxiliary contact signal port, PIN1: 12Vdc, PIN2:GND
-
- (23) GEN: Generator detect signal input port, PIN1: 12Vdc, PIN2:GND
-
- (24) IN1: Optional input dry contacts 1, PIN1: 12Vdc, PIN2:GND
-
- (25) IN2: Optional input dry contacts 2, PIN3: 12Vdc, PIN4:GND
-
- (26) IN3: Optional input dry contacts 3, PIN1: 12Vdc, PIN2:GND
-
- (27) IN4: Optional input dry contacts 4, PIN3: 12Vdc, PIN4:GND
-
- (28) OUT1: Optional output dry contacts 1, PIN1: common, PIN2:NO
-
- (29) OUT2: Optional output dry contacts 2, PIN3: common, PIN4:NO
-
- (30) OUT3: Optional output dry contacts 3, PIN1: common, PIN2:NO
-
- (31) OUT4: Optional output dry contacts 4, PIN3: common, PIN4:NO
-
- (32) OUT5: Optional output dry contacts 5, PIN1: common, PIN2:NO
-
- (33) OUT6: Optional output dry contacts 6, PIN3: common, PIN4:NO
-

3.3 UPS module appearance



Front View

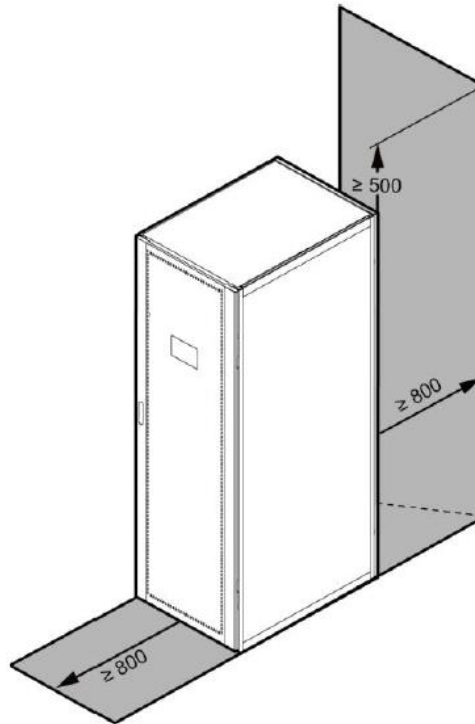


Side View

(1) Module fixed screw
(2) LED
(3) Module switch

3.4 Installation notes

Note: Consider for the convenience of operation and maintenance, the space in front and back of the cabinet should be left at least 800mm and 800mm respectively when installing the cabinet.



□ Please place the UPS in a clean, stable environment, avoid the vibration, dust, humidity, flammable gas and liquid, corrosive. To avoid from high room temperature, a system of room extractor fans is recommended to be installed. Optional air filters are available if the UPS operates in a dusty environment.

□ The environment temperature around UPS should keep in a range of 0℃~40℃. If the environment temperature exceeds 40℃, the rated load capacity should be reduced by 12% per 5℃. The max temperature can't be higher than 50℃.

□ If the UPS is dismantled under low temperature, it might be in a condensing condition. The UPS can't be installed unless the internal and external of the equipment is fully dry. Otherwise, there will be in danger of electric shock.

□ Batteries should be mounted in an environment where the temperature is within the required specs. Temperature is a major factor in determining battery life and capacity. In a normal installation, the battery temperature is maintained between 15°C and 25°C. Keep batteries away from heat sources or main air ventilation area, etc.



WARNING!

Typical battery performance data are quoted for an operating temperature between 20°C and 25°C. Operating it above this range will reduce the battery life while operation below this range will reduce the battery capacity.

◆Should the equipment not be installed immediately it must be stored in a room so as to protect it against excessive humidity and or heat sources.



CAUTION!

An unused battery must be recharged every 6months temporarily connecting the UPS to a suitable AC supply mains and activating it for the time required for recharging the batteries.

□The highest altitude that UPS may work normally with full load is 1500 meters. The load capacity should be reduced when this UPS is installed in place whose altitude is higher than 1500 meters, shown as the following table:

(Load coefficient equals max load in high altitude place divided by nominal power of the UPS)

Altitude(m)	1500	2000	2500	3000	3500	4000	4500	5000
Load coefficient	100%	95%	90%	85%	80%	75%	70%	65%

□The UPS cooling is depending on fan, so it should be kept in good air ventilation area. There are many ventilation holes on the front and rear, so they should not be blocked by any exotic obstacles.

3.5 External Protective Devices

For safety reasons, it is necessary to install, external circuit breaker at the input A.C. supply and the battery. This chapter provides guidelines for qualified installers that must have the knowledge of local wiring practices for the equipment to be installed.

□**External Battery**

The UPS and its associated batteries are protected against the effect of over-current through a DC compatible thermo-magnetic circuit-breaker (or a set of fuses) located close to the battery.

□**UPS Output**

Any external distribution board used for load distribution shall be fitted with protective devices that may avoid the risk of UPS overloaded.

◆**Over-current**

Protection device shall be installed at the distribution panel of the incoming main supply. It may identify the power cables current capacity as well as the overload capacity of the system.

3.6 Power Cables

□The cable design shall comply with the voltages and currents provided in this section, Kindly follow local wiring practices and take into consideration the environmental conditions (temperature and physical support media).

WARNING!



UPON STARTING, PLEASE ENSURE THAT YOU ARE AWARE OF THE LOCATION AND OPERATION OF THE EXTERNAL ISOLATORS WHICH ARE CONNECTED TO THE UPS INPUT/BYPASS SUPPLY OF THE MAINS DISTRIBUTION PANEL.CHECK TO SEE IF THESE SUPPLIES ARE ELECTRICALLY ISOLATED, AND POST ANY NECESSARY WARNING SIGNS TO PREVENT ANY

INADVERTENT OPERATION

3.6.1 Recommended cross-sectional areas for power cables

- For future expansion purpose, it is economical to install power cable according to the full rating capacity initially. The diameter of cable is shown below:

UPS Cabinet (kVA)	Cable Dimension				
	AC Input (mm ²)	BPS Input (mm ²)	AC Output (mm ²)	DC Input (mm ²)	Grounding (mm ²)
30	10	10	10	25	10
45	16	16	16	35	16
50	16	16	16	50	16
60	35	35	35	70	35
75	35	35	35	95	35
90	70	70	70	120	70
100	95	95	95	120	95
120	95	95	95	150	95
125	95	95	95	185	95
150	120	120	120	185	120

- ◆ When selecting, connecting, and routing power cables, follow local safety regulations and rules.
- ◆ If external conditions such as cable layout or ambient temperatures change, perform verification in accordance with the IEC-60364-5-52 or local regulations.
- ◆ If the rated voltage is 400 V, multiply the currents by 0.95. If the rated voltage is 415 V, multiply the currents by 0.92.
- ◆ If primary loads are non-linear loads, increase the cross-sectional areas of neutral wires 1.5–1.7 times.
- ◆ The nominal battery discharge current refers to the current of forty 12 V batteries at 480V in standard configuration.
- ◆ The maximum battery discharge current refers to the current when forty 12 V batteries in standard configuration, that is, two hundred and forty 2 V battery cells (1.67 V/cell), stop discharging.
- ◆ The battery cable specifications are selected based on 40 batteries by default and compatible with application scenarios with 30–50 batteries.
- ◆ When the mains input and bypass input share a power source, configure both types of input power cables as mains input power cables. The cables listed in Table are used only when the following requirements are met:
 - Routing mode: Routing the cables over the cable ladder or bracket in a single layer (IEC60364-5-52 middle E).
 - The ambient temperature is 30°C.
 - The AC voltage loss is less than 3%, and the DC voltage loss is less than 1%.
 - 90°C copper flexible cable.
 - The length of the AC power cables of a UPS is no longer than 30 m and DC power cables no longer than 50 m.

3.6.2 Power cable connector requirements

UPS Cabinet (kVA)	Connector	Connection Mode	Bolt Type	Bolt Hole Diameter	Torque
30-75	Mains input connector	Crimped OT terminals	M8	8.5mm	20N•m
	Bypass input connector	Crimped OT terminals	M8	8.5mm	20N•m
	Battery input connector	Crimped OT terminals	M10	10.5mm	26N•m
	Output connector	Crimped OT terminals	M8	8.5mm	20N•m
	Grounding connector	Crimped OT terminals	M8	8.5mm	20N•m
90-150	Mains input connector	Crimped OT terminals	M10	10.5mm	26N•m
	Bypass input connector	Crimped OT terminals	M10	10.5mm	26N•m
	Battery input connector	Crimped OT terminals	M10	10.5mm	26N•m
	Output connector	Crimped OT terminals	M10	10.5mm	26N•m
	Grounding connector	Crimped OT terminals	M10	10.5mm	26N•m

3.6.3 Recommended input front-end and output back-end circuit breakers

UPS Cabinet (kVA)	Mains input circuit breaker	Bypass input circuit breaker	Maintenance circuit breaker	Output circuit breaker	Battery circuit breaker
30	63A 3P	63A 3P	63A 4P	63A 3P	100A 3P
45	80A 3P	80A 3P	80A 4P	80A 3P	160A 3P
50	100A 3P	100A 3P	100A 4P	100A 3P	160A 3P
60	125A 3P	125A 3P	125A 4P	125A 3P	175A 3P
75	160A 3P	160A 3P	160A 4P	160A 3P	250A 3P
90/100	200A 3P	200A 3P	200A 4P	200A 3P	315A 3P
120/125	250A 3P	250A 3P	250A 4P	250A 3P	400A 3P
150	250A 3P	250A 3P	250A 4P	250A 3P	500A 3P



CAUTION!

Protective earth cable: Connect each cabinet to the main ground system. For Grounding connection, follow the shortest route possible.



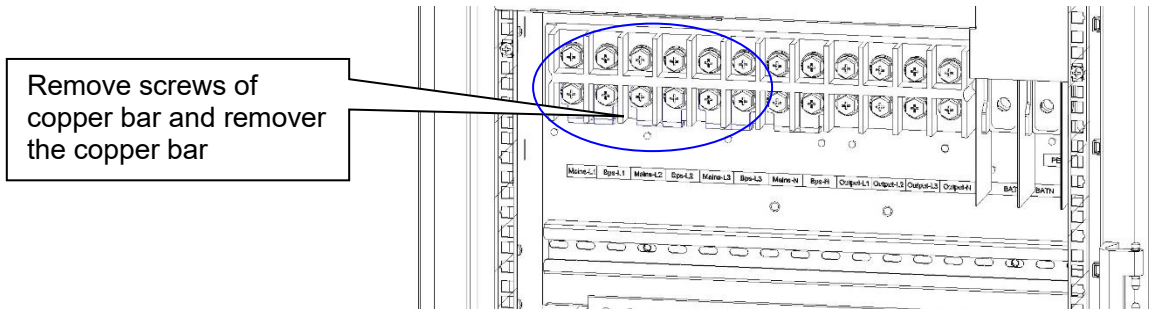
WARNING!

FAILURE TO FOLLOW ADEQUATE EARTHING PROCEDURES MAY RESULT IN ELECTROMAGNETIC INTERFERENCE OR IN HAZARDS INVOLVING ELECTRIC SHOCK AND FIRE

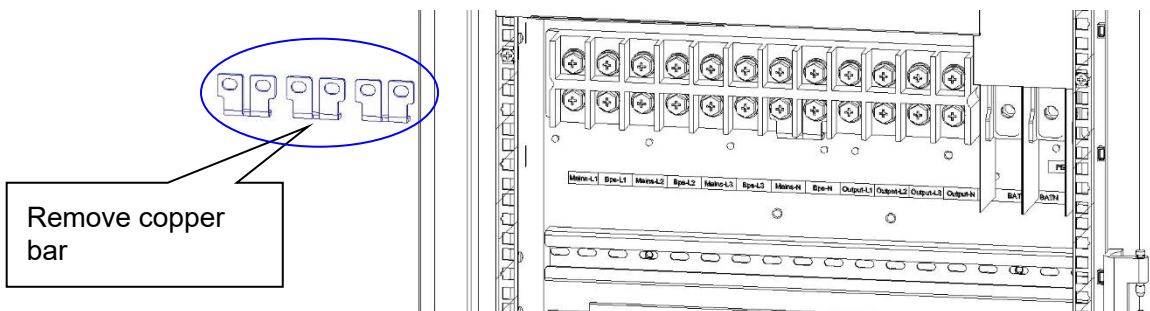
3.7 Power cable connect

Before equipment has been installed, must confirm the input source type, common input or Split input, if the input source is dual input, must remove the copper bar that connected bypass and mains.

30kVA-75kVA:

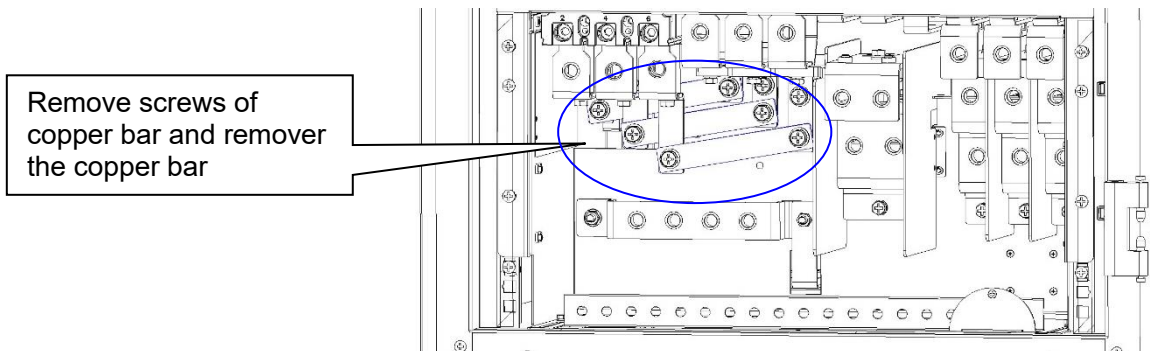


Remove copper bar

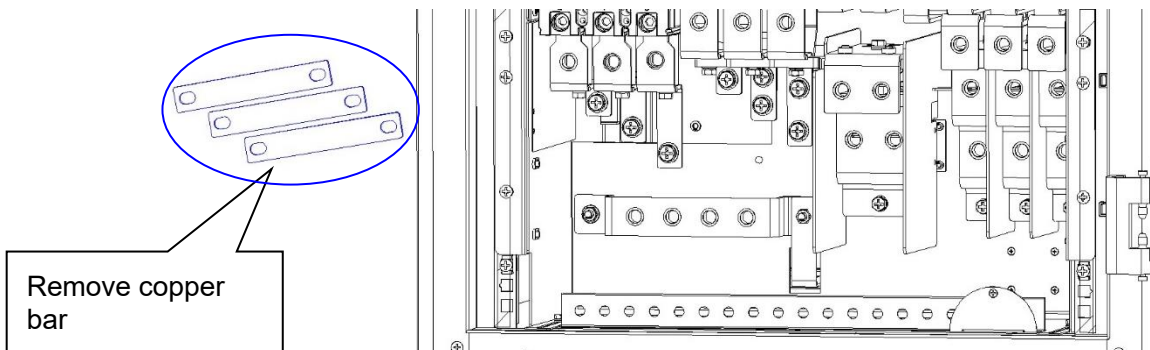


Separation of mains and bypass

90kVA-150kVA:



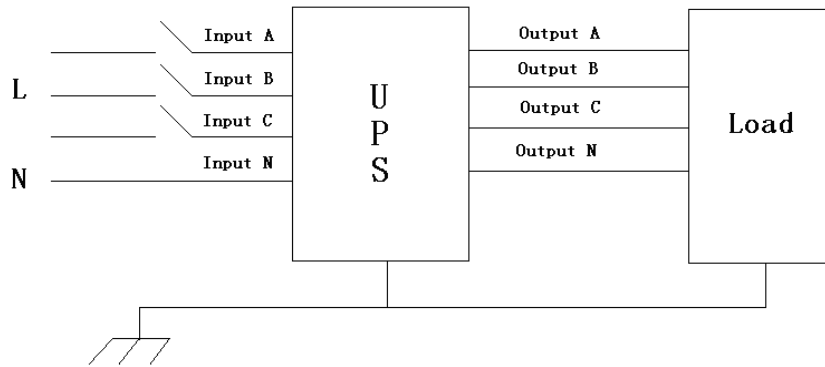
Remove copper bar



Separation of mains and bypass

Choose appropriate power cable. (Refer to the table above) and pay attention to the diameter of the connection terminal of the cable that should be greater than or equal to that of the connection poles;

Wiring



WARNING!



In the case of “Dual input” operation, make sure the copper wire between each input lines have been removed. The AC input and the AC bypass supplies must be referenced to the same neutral point.

If the load equipment is not ready to accept power on the arrival of the commissioning engineer then ensure that the system output cables are safely isolated at their ends

Connect the safety earth and any necessary bonding earth cables to the copper earth screw located on the floor of the equipment below the power connections. All cabinets in the UPS must be grounded properly.

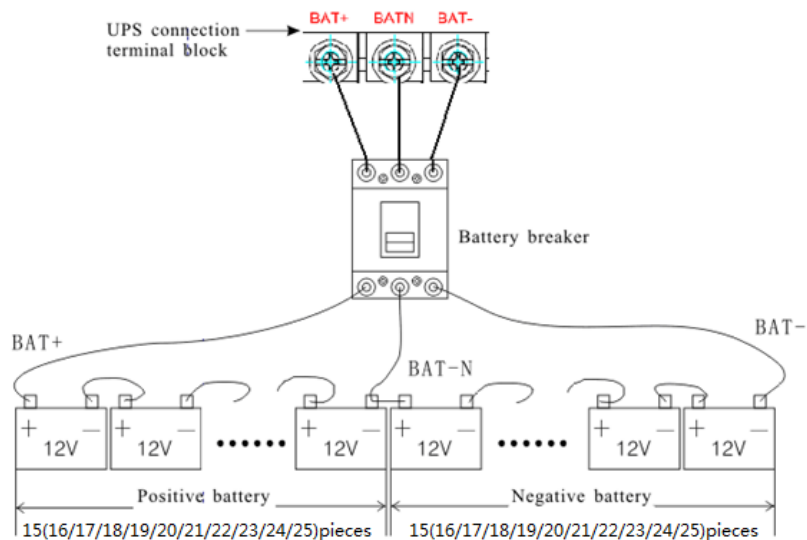
CAUTION!



The earthing and neutral bonding arrangement must be in accordance with local and national codes of practice.

3.9 Battery connection

The UPS adopts positive and negative double battery framework, total 30(optional 32/34/36/38/40/42/44/46/48/50) in series. A neutral cable is retrieved from the joint between the cathode of the 15th (16th/17th/18th/19th/20th/21th/22th/23th/24th/25th) and the anode of the 16th (17th/18th/19th/20th/21th/22th/23th/24th/25th/26th) of the batteries. Then the neutral cable, the battery positive and the battery negative are connected with the UPS respectively. The battery sets between the Battery anode and the neutral are called positive batteries and that between neutral and cathode are called negative ones. The user can choose the capacity and the numbers of the batteries according to their desire.



Note:

The BAT+ of the UPS connect poles is connected to the anode of the positive battery, the BAT-N is connected to the cathode of the positive battery and the anode of the negative battery, the BAT- is connected to the cathode of the negative battery.

Factory setting of the long-run unit is battery quantity---30pcs, battery capacity--12V 100AH. When connecting 32/34/36/38/40/42/44/46/48/50 batteries, please reset desired battery quantity and its capacity after UPS starts at AC mode. Charger current could be adjusted automatically according to battery capacity selected. All related settings can be done through LCD panel or monitoring software.

CAUTION!



Ensure correct polarity battery string series connection. i.e. inter-tier and inter block connections are from (+) to (-) terminals.

Don't mix batteries with different capacity or different brands, or even mix up new and old batteries, either.

WARNING!



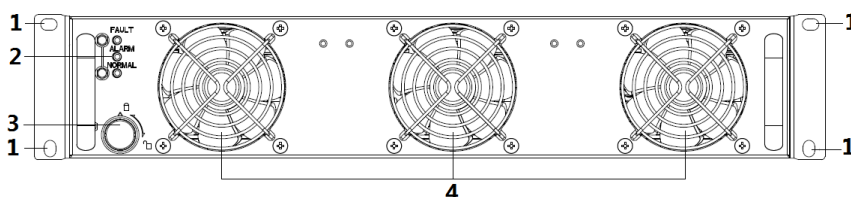
Ensure correct polarity of string end connections to the Battery Circuit Breaker and from the Battery Circuit Breaker to the UPS terminals i.e. (+) to (+) / (-) to (-) but disconnect one or more battery cell links in each tier. Do not reconnect these links and do not close the battery circuit breaker unless authorized by the commissioning engineer.

3.10 Online UPS Modules Replacement

For the UPS, modules must be inserted to make a complete UPS system.

The replacement of UPS module is very simple and can be operated online. The control system of the UPS can detect the inserted or removed module(s) automatically. The user may operate easily by following the steps mentioned below.

◆ NOTE: The UPS module is rather heavy, please move it by two people!



◆ Insert module

- (1) Remove decorated panel;
- (2) Put the UPS module in the cabinet module slot. Push the module along the slot into the cabinet until the module is inserted properly, then the indicator will flash.
- (3) Fix the module with screws (1) at the positioning screw holes;
- (4) Switch on the module_ON switch (3) at the left of the module panel, then the red indicator (2) will off.
- (5) After the modules start up, the system will detect the modules inserted automatically and parallel up the modules into whole system.

◆ Remove UPS module

Switch off the module_ON switch (3) at the left of the module panel, then the red indicator (2) will light and green indicator flash. Remove the screws (1) of the module and remove the module from the cabinet.



WARNING!

- (1) Before start the module, the module_ON switch must on the "ON" status and the red indicator must flash or off.
- (2) Before remove the module, the module_ON switch must on the "OFF" status and the red indicator must light.

- (3) When insert the module under battery mode, please press “Cold start” button at bypass module panel until the modules starts.

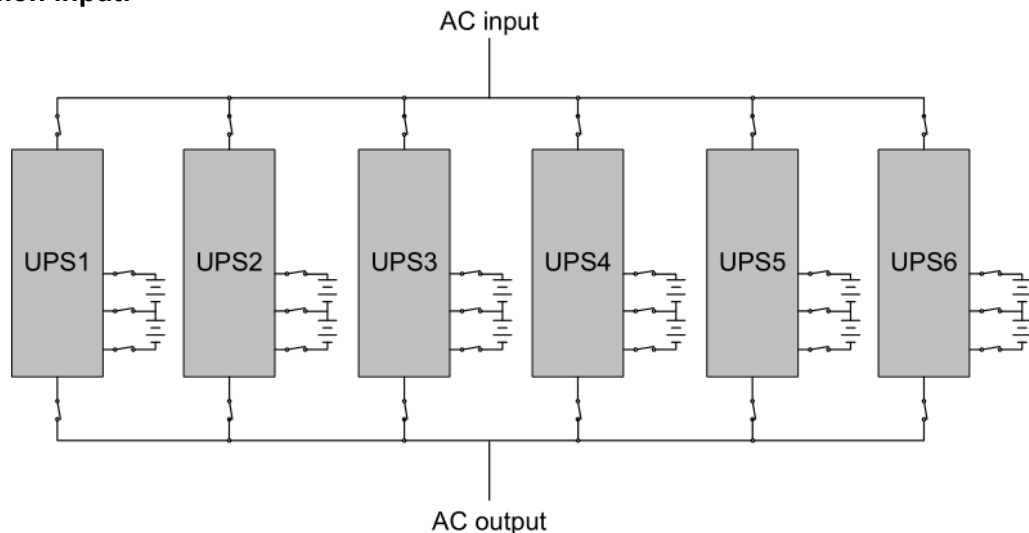
3.11 UPS Multi—Module Installation

The basic installation procedure of a parallel system comprising of two or more UPS modules is the same as that of single module system. The following sections introduce the installation procedures specified to the parallel system.

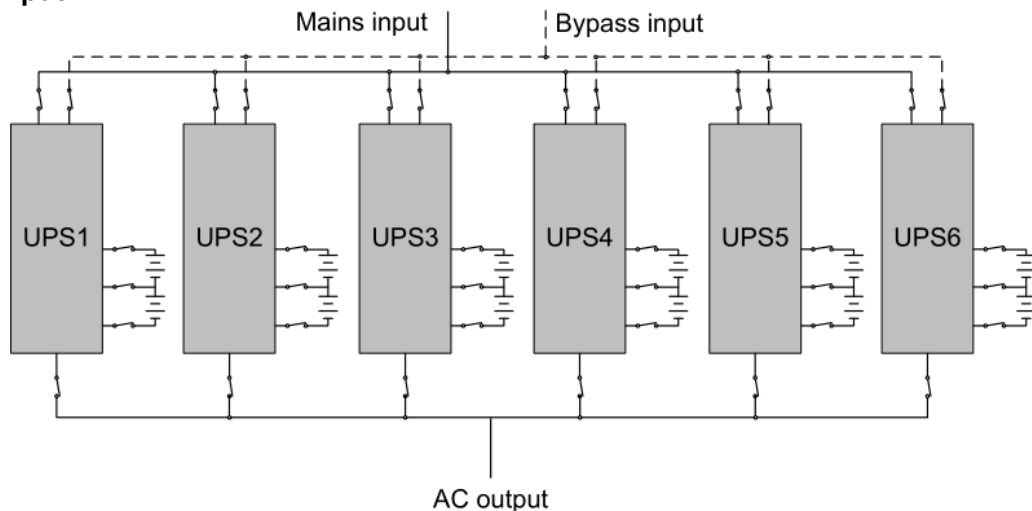
3.11.1 Cabinet installation

Connect all the UPS needed to be put into parallel system as below picture.

Common input:



Dual input:



Make sure each UPS input switch is in “off” position and there is no any output from each UPS connected. Battery groups can be connected separately or in parallel, which means the system itself provides both separate battery and common battery.



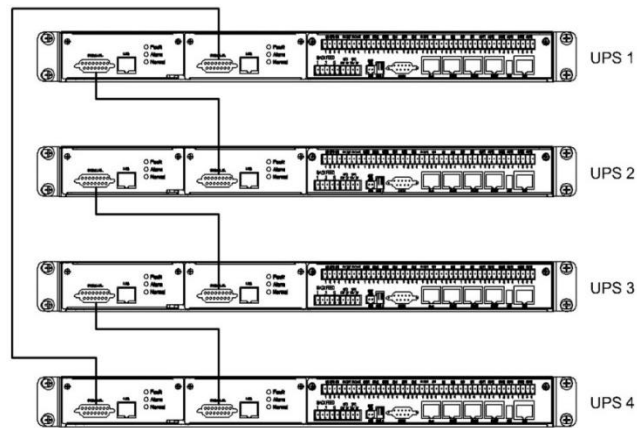
CAUTION!

A group of parallel systems is equivalent to a large capacity UPS, but it has higher reliability. In order to ensure that all UPS machines are current sharing, and comply with the relevant wiring rules, the following requirements should be met:

- ◆ All UPS must be the same rated and connected to the same way bypass power supply.
- ◆ Bypass and the mains input power must be received with the same neutral.
- ◆ The output of all UPS machines must be connected to a common output bus.
- ◆ All bypass input cables and UPS output cables should be of the same length and specification, which is to make the machine operate in the bypass mode and compare the current sharing.

3.11.2 Parallel cable installation

Shielded and double insulated control cables available must be interconnected in a ring configuration between UPS modules as shown below. The parallel control board is mounted on each UPS module. The ring configuration ensures high reliability of the control.



3.12 LBS installation (optional)

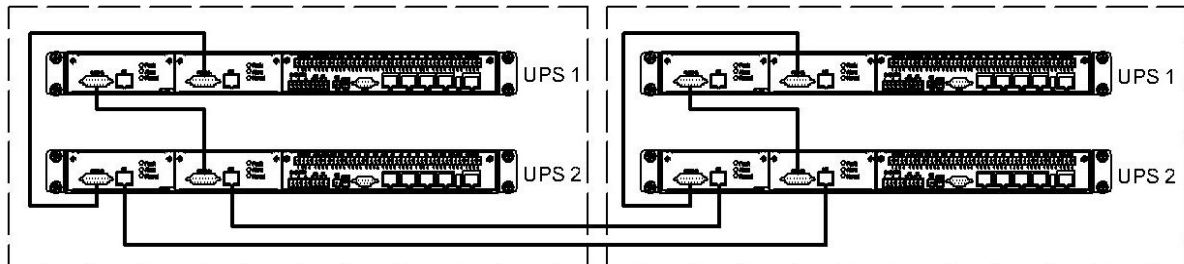
LBS system contains LCD set, cable connect and STS device.

3.12.1 LCD setting

Set every UPS of the systems to be LBS Master or LBS Slave. For instance if the UPS belongs to LBS master system, its LBS setting must be set to Master.

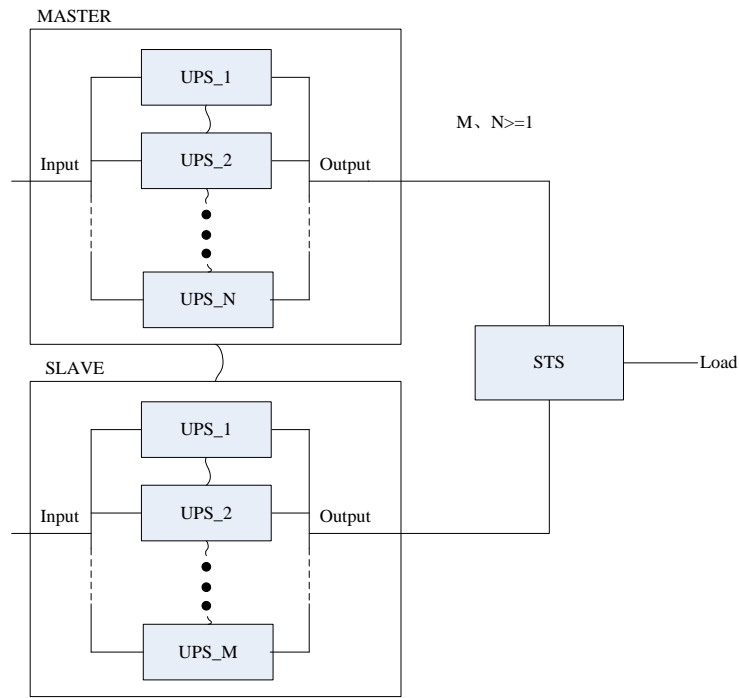
3.12.2 LBS cable installation

The two ports of one mesh wire should be plug into RJ45 interface of any one UPS of both master and slave system.



3.12.3 UPS installation

The whole systems are showed below.



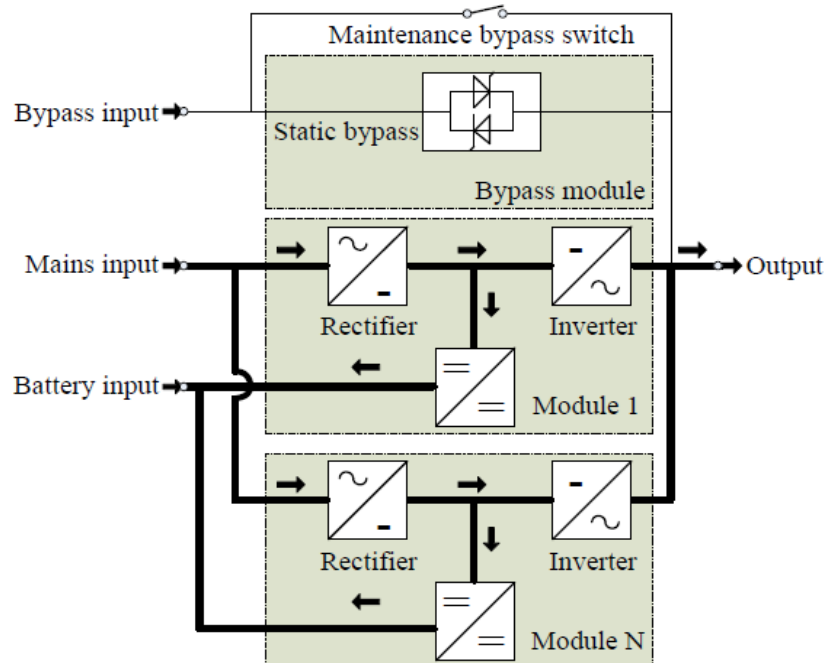
4. Operation

4.1 Operation Modes

The UPS is a double-conversion on-line UPS that may operate in the following alternative modes:

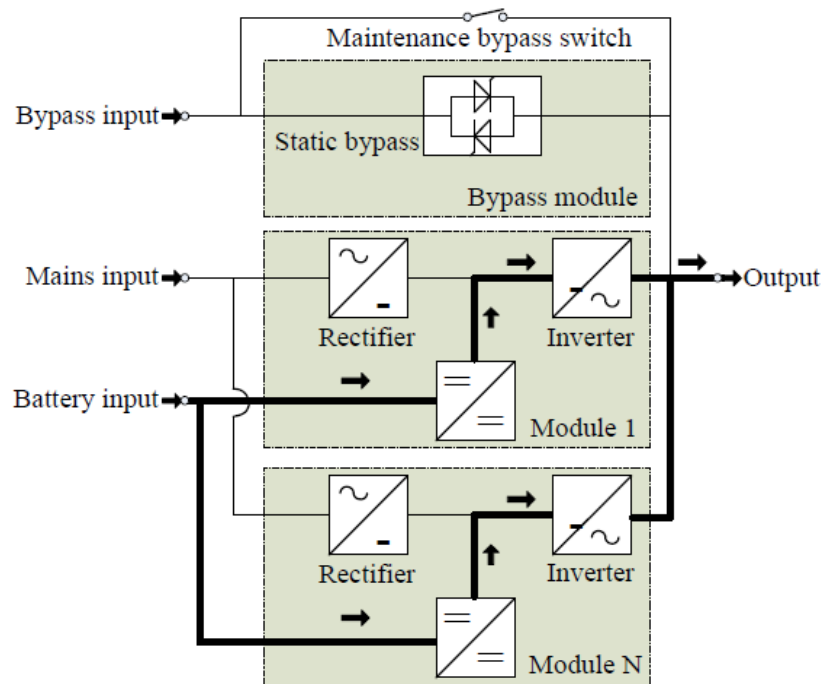
□ Normal mode

The rectifier/charger derives power from the AC Mains and supplies DC power to the inverter while floating and boosting charge the battery simultaneously. Then, the inverter converts the DC power to AC and supplies to the load.



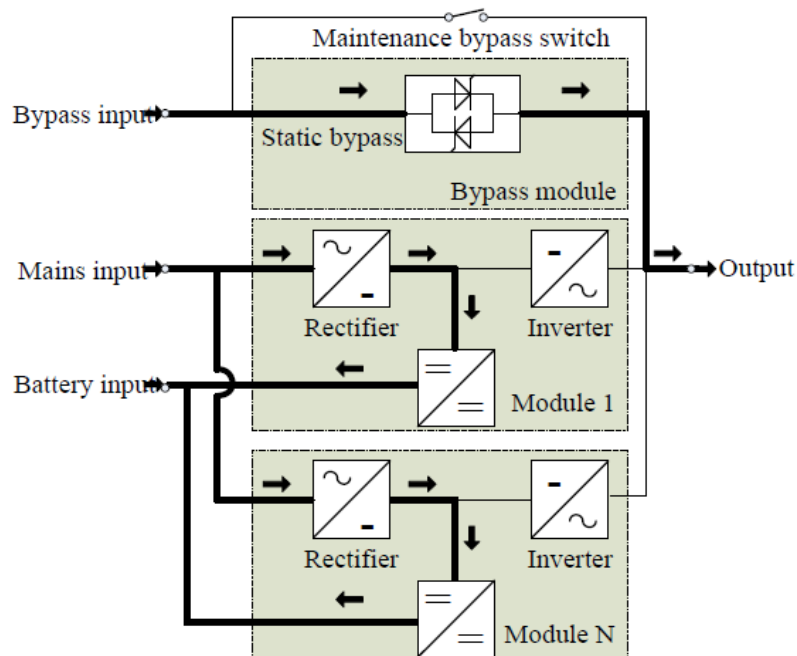
□ Battery mode (Stored Energy Mode)

If the AC mains input power fails, the inverter, which obtains power from the battery, supplies the critical AC load. There is no power interruption to the critical load. The UPS will automatically return to Normal Mode when AC recovers.



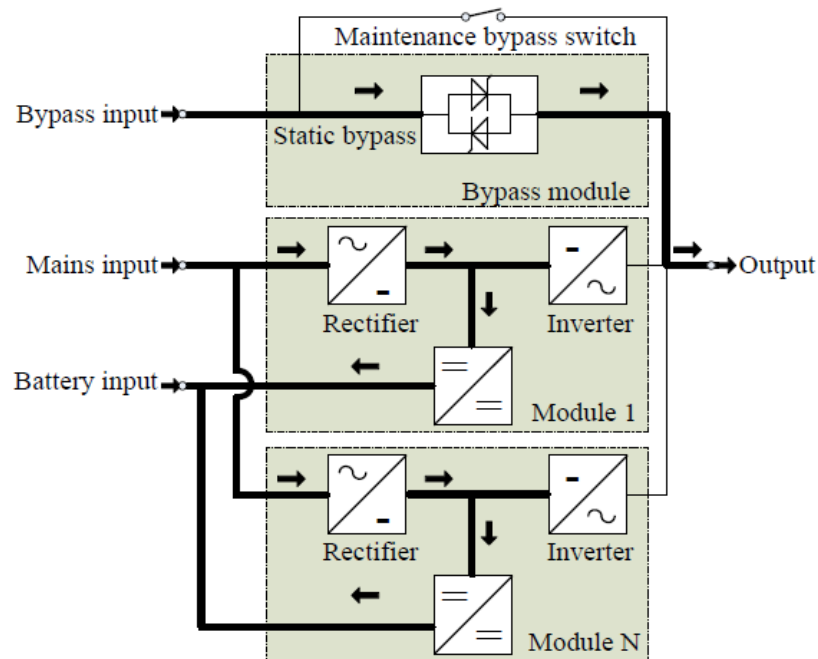
□ **Bypass mode**

If the inverter is out of order, or if overload occurs, the static transfer switch will be activated to transfer the load from the inverter supply to bypass supply without interruption to the critical load. In the event that the inverter output is not synchronized with the bypass AC source, the static switch will perform a transfer of the load from the inverter to the bypass with power interruption to the critical AC load. This is to avoid paralleling of unsynchronized AC sources. This interruption is programmable but typically set to be less than an electrical cycle e.g. less than 15ms (50Hz) or less than 13.33ms (60Hz).



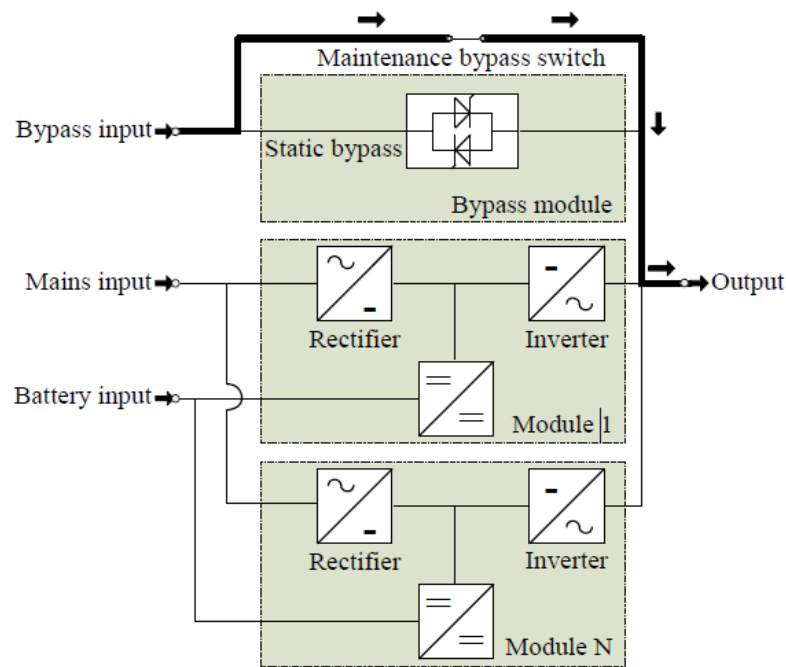
◆ **ECO Mode**

When the UPS is at AC Mode and the requirement to the load is not critical, the UPS can be set at ECO mode in order to increase the efficiency of the power supplied. At ECO mode, the UPS works at Line-interactive mode, so the UPS will transfer to bypass supply. When the AC is out of set window, the UPS will transfer from bypass to Inverter and supplies power from the battery, and then the LCD shows all related information on the screen.



□ **Maintenance mode (Manual Bypass)**

A manual bypass switch is available to ensure continuity of supply to the critical load when the UPS is out of order or in repair. This manual bypass switch is fitted for all UPS modules and bears for equivalent rated load.



4.2 Turn on/off UPS

4.2.1 Restart procedure



CAUTION!

MAKE SURE GROUNDING IS PROPERLY DONE!

- ◆ Set the Battery breaker to the “ON” position according to the user’s manual.
- ◆ Open door of the UPS to access to the main power switches. During this procedure the output terminals will become alive.

CAUTION!



Check to see if the load is safely connected with the output of the UPS. If the load is not ready to receive power from the UPS, make sure that it is safely isolated from the UPS output terminals

- ◆ Turn ON the bypass and input breakers of the UPS, make sure that “Bypass module” insert the cabinet and fix with screws and the module_in switch at the on status

When AC MAINS input voltage within the range, and the rectifiers of the UPS will be started up in 30 seconds, then the inverter is started completely. When the output switch is “ON”, the inverter LED lights up.

- ◆ Switch ON output breaker

If the rectifier of the module does not start-up, the green LED will flash, bypass module green LED will light on, the power module green LED will flash. when UPS turn to inverter mode power module and display panel green LED will light on.

No matter the UPS is operated normally or not, the LCD display will indicate current status.

4.2.2 Test procedure



CAUTION!

The UPS is operating normally. It may take 60 seconds to boost up the system and perform self-test completely.

- Switch off the MAINS to simulate utility failure, the rectifier will turn off and the battery should feed the inverter without interruption.
- Switch on the MAINS to simulate utility recovery, the rectifier will restart automatically after 20 seconds and the inverter will supply to the load. It is suggested to use Dummy loads for testing. The UPS can be loaded up to its maximum capacity during load test.

4.2.3 Cold start procedure



CAUTION!

Follow these procedures when the input AC Utility Failure, but battery is normal

- Turn on the battery breaker.
The battery will feed the Auxiliary power board.
- Turn on the Output breaker
- ◆ Trigger the cold start button of the bypass module.

When battery normal, rectifier starts operation, 30s later, inverter starts and operates and the green LED will light on.



CAUTION!

Wait for approximately 30 seconds before you press the black start key

4.2.4 MAINTENANCE BYPASS

To supply the load via Mains, you may simply active the internal mechanical bypass switch.



CAUTION!

The load is not protected by the UPS when the internal mechanical bypass system is active and the power is not conditioned.

Switch to mechanical bypass



CAUTION!

If the UPS is running normally and can be controlled through the display, carry out steps 1 to 5; otherwise, jump to Step 4.

- Open the cover of maintenance breaker, the UPS turns to bypass mode automatically.
- Turn on the maintenance breaker;
- Turn OFF the battery breaker;
- Turn OFF the mains breaker;
- Turn OFF the output breaker;

At this time the bypass source will supply to the load through the maintenance switch.

Switch to normal operation (from mechanical bypass)



CAUTION!

Never attempt to switch the UPS back to normal operation until you have verified that there are no internal UPS faults

- Open the front and rear doors of the UPS to be easily access to the main power breakers
- Turn ON the output breaker;
- Turn ON the bypass and mains breaker;
- Turn ON the battery breaker;

The UPS powers from the static bypass instead of the maintenance bypass.

- Turn OFF the maintenance bypass breaker, then the output is supplied by the bypass of the modules.
- Put on the maintenance breaker cover.

The rectifier will operate normally after 30 seconds. If the inverter works normally, the system will be transferred from bypass mode to normal mode.

4.2.5 Shut down procedure



CAUTION!

This procedure should be followed to completely shut down the UPS and the LOAD. After all power breakers, isolators and circuit breakers are opened, there will be no output.

- Press the INVERTER OFF key on the LCD display;
- Turn OFF the BATTERY breaker;
- Open the UPS door to easily access to the main power breaker;
- ◆ Turn OFF the input breaker.
- ◆ Turn OFF the OUTPUT breaker. The UPS shuts down;



WARNING!

Wait for about 5 minutes for the internal D.C. bus bar capacitors to be completely discharged.

4.2.6 Startup procedure for parallel system

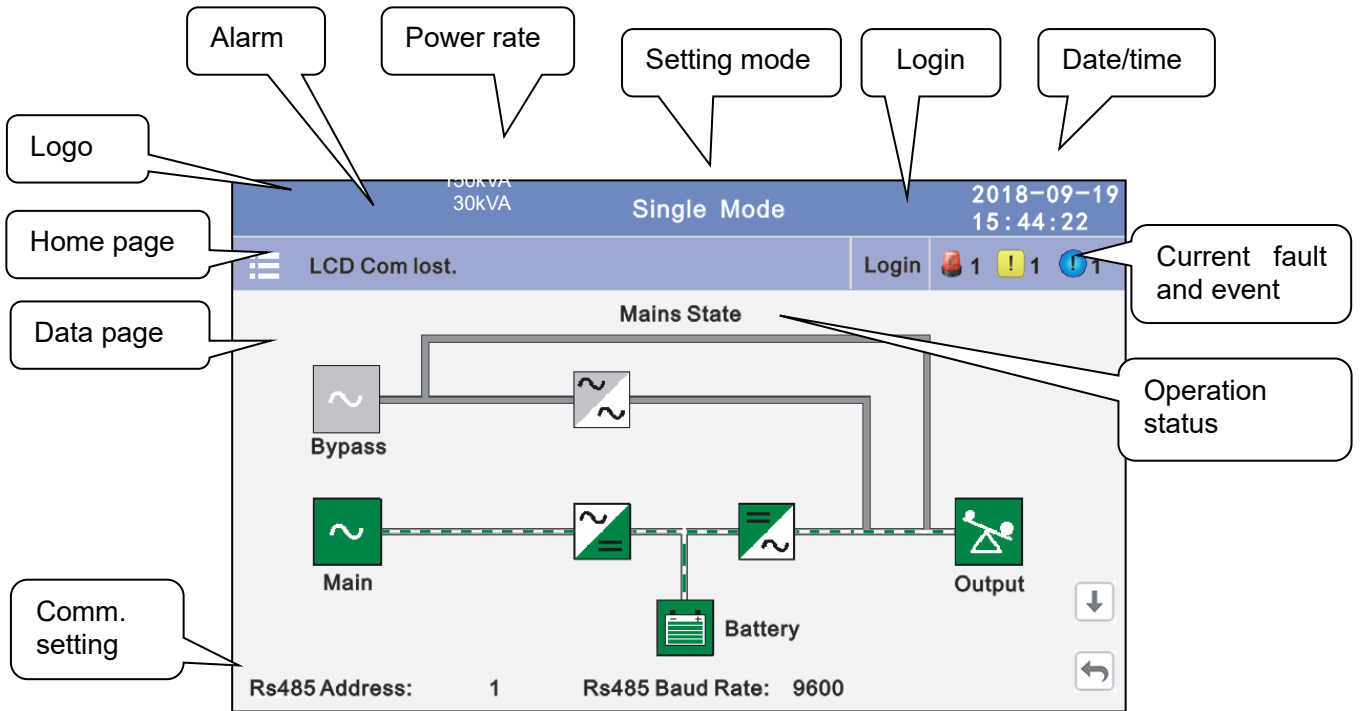
- ◆ Connect parallel cable, input/output cable, and battery cable well; modify the parallel board jumpers correctly.
- ◆ Measure the positive and negative battery pack voltage. Battery switch is opened temporarily.
- ◆ Turn ON the output breaker at the front door.
- ◆ According to the startup procedure for single unit, set the operation mode of each UPS: single mode is changed to parallel mode; set the parallel number for each UPS; up to 6 units can be parallel; set the ID of each cabinet, the ID of each unit must be different.
- ◆ Turn ON the input breaker. Close the external input breaker and start from mains.
- ◆ After start from mains, check the LCD interface of each UPS to see if the ID, VA is the same with the actual values.
- ◆ Turn ON the external battery breaker of each UPS. Check if the charging current displayed in LCD is normal.



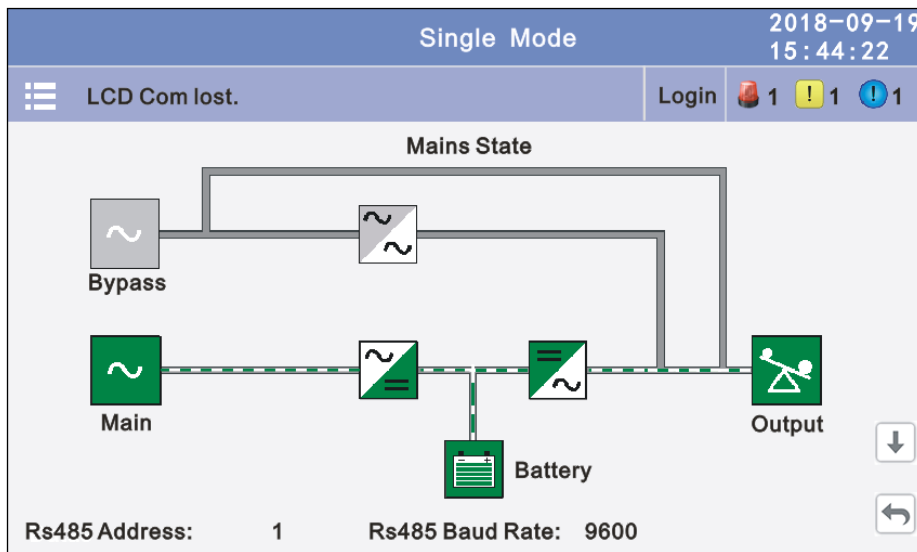
Note!

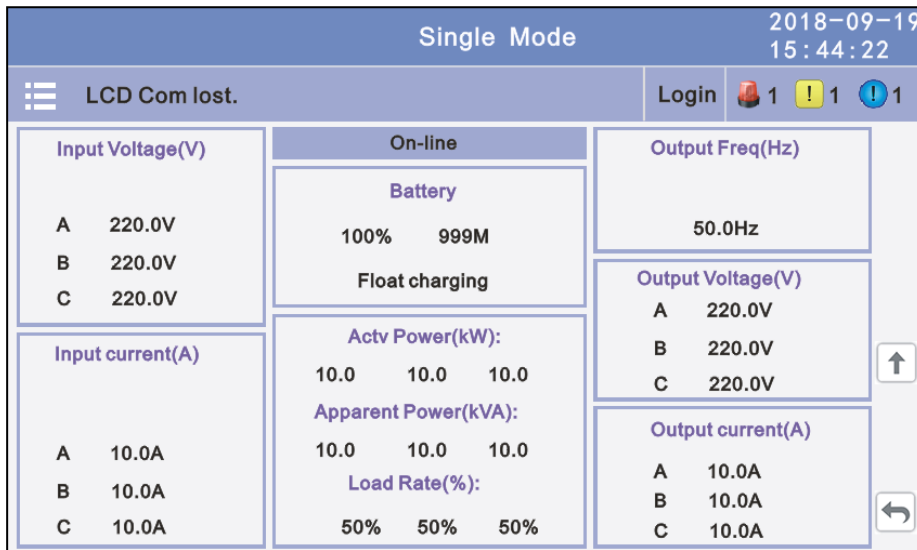
The UPS cannot be parallel until each single unit is normal.

4.3 The Display

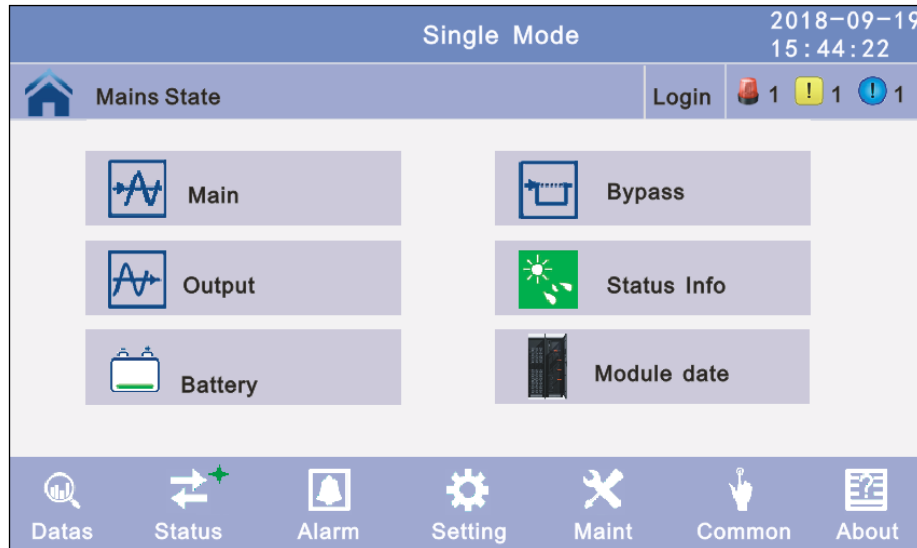


4.3.1 Datas: Displays the flow state of UPS work, and quickly enters real-time data by clicking on the block.





4.3.2 Status: View the voltage and current of the main, bypass, output, battery (can also be entered through by real-time data block), view the status of the switches, dry contacts and module, through clicking on the block, enter the corresponding data window.



4.3.2.1 Main: Click the main block to enter the main data display window, click return to return to the previous window, click home page to return to the main page.

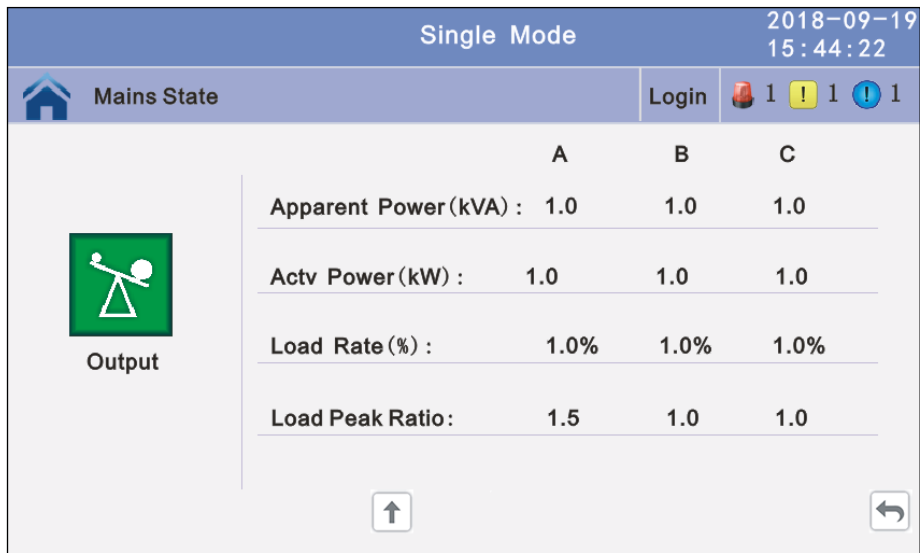
Single Mode				2018-09-19 15:44:22	
Mains State		Login	1	1	1
	A	B	C		
Phase Volt (V) :	220.0	220.0	220.0		
Line Volt (V) :	380.0	380.0	380.0		
Phase Freq (Hz) :	50.0	50.0	50.0		
Phase Current (A) :	5.5	5.0	6.0		
Input Factor:	0.932	0.931	0.921		

4.3.2.2 Bypass: Click the bypass block to enter the bypass data display window, click return to return to the previous window, click home page to return to the main page.

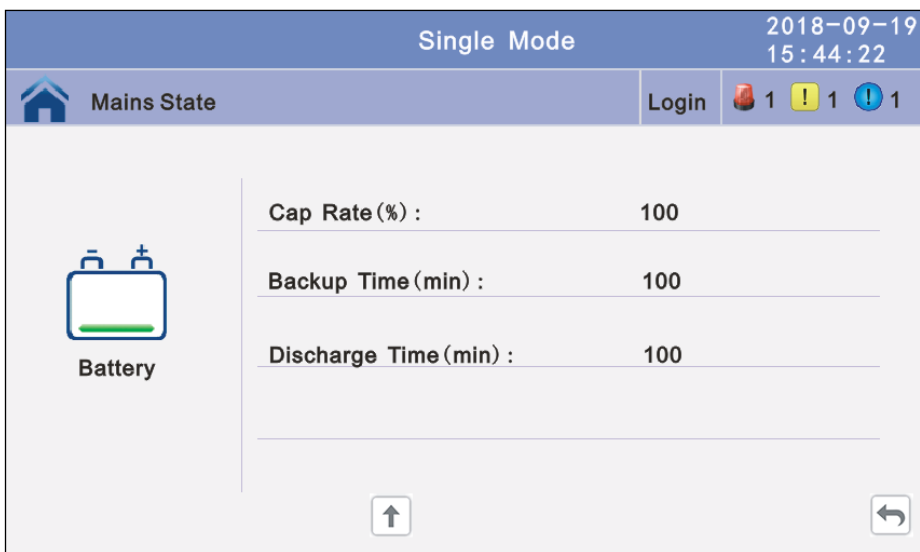
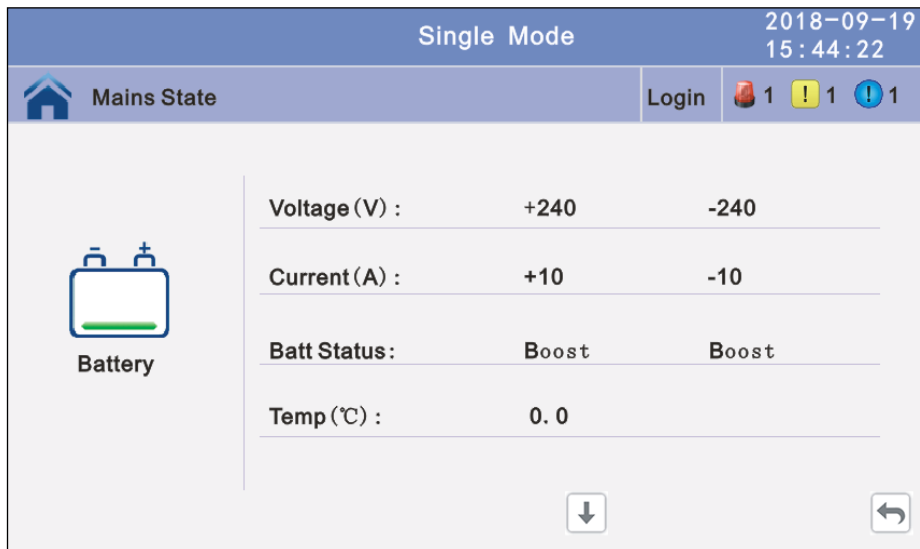
Single Mode				2018-09-19 15:44:22	
Mains State		Login	1	1	1
	A	B	C		
Phase Volt (V) :	220.0	220.0	220.0		
Line Volt (V) :	380.0	380.0	380.0		
Phase Freq (Hz) :	50.0	50.0	50.0		

4.3.2.3 Output: Click the output block to enter the output data display window, click return to return to the previous window, click home page to return to the main page.

Single Mode				2018-09-19 15:44:22	
Mains State		Login	1	1	1
	A	B	C		
Phase Volt (V) :	220.0	220.0	220.0		
Line Volt (V) :	380.0	380.0	380.0		
Phase Freq (Hz) :	50.0	50.0	50.0		
Phase Current (A) :	5.5	5.0	6.0		



4.3.2.4 Battery: Click the battery block to enter the battery data display window, click return to return to the previous window, click home page to return to the main page.



4.3.2.5 Status info: Click the status info block to enter the status data display window, click return to return to the previous window, click home page to return to the main page.

Single Mode 2018-09-19 15:44:22

Mains State Login 1 1 1

Status Info

Output Switch	Open
MBS Switch	Open

↓ ↶

Single Mode 2018-09-19 15:44:22

Mains State Login 1 1 1

Status Info

Dry Battery Switch	Open
Dry Output Switch	Open
Dry Bypass Switch	Open
Dry Maint Bypass Switch	Open

↓ ↶

Single Mode 2018-09-19 15:44:22

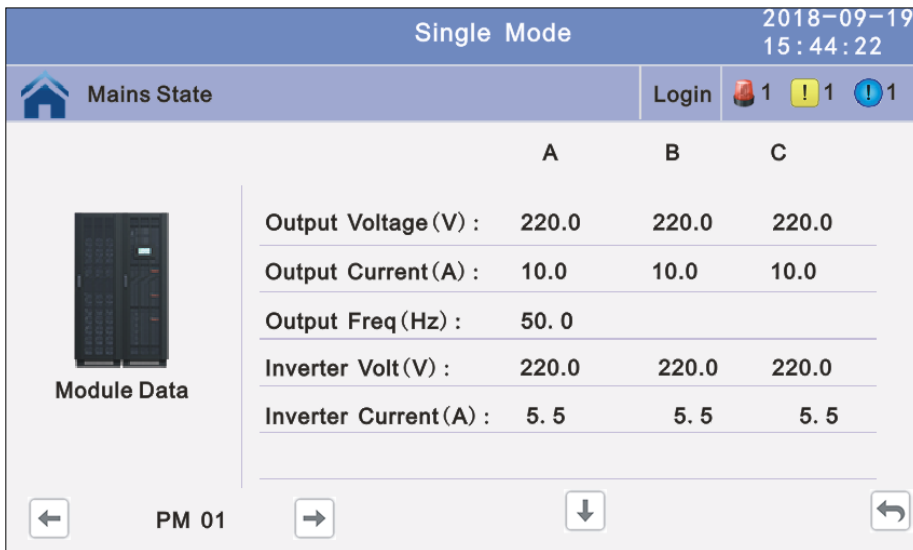
Mains State Login 1 1 1

Status Info

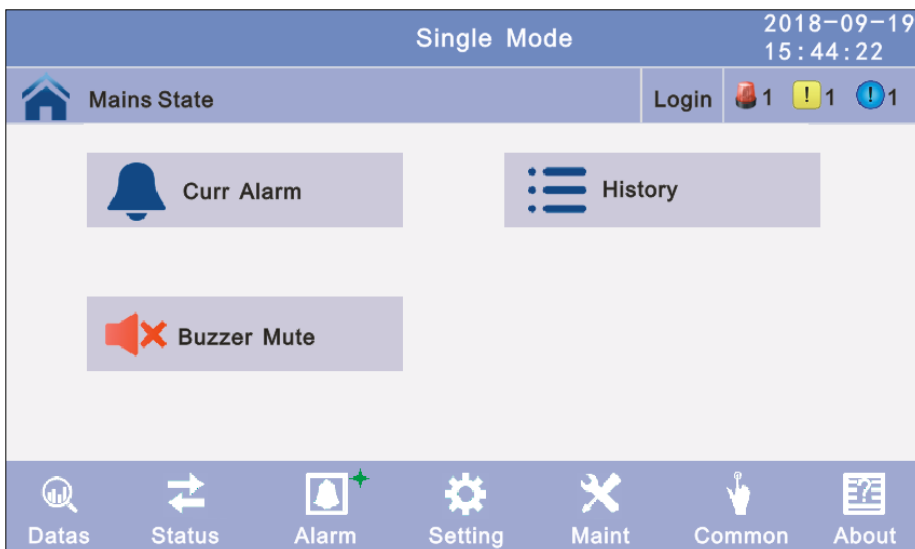
Generator Access	Not Connected
Ambient Temp	0.0

↑ ↶

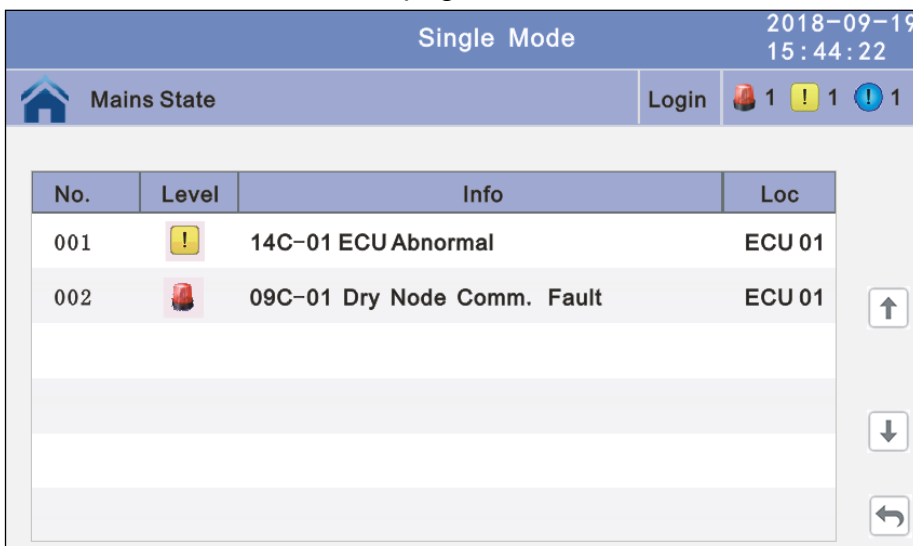
4.3.2.6 Module: Click the module block to enter the module data display window, click return to return to the previous window, click home page to return to the main page.



4.3.3 Alarm: View the alarm and history of the UPS, and open or close the buzzer.



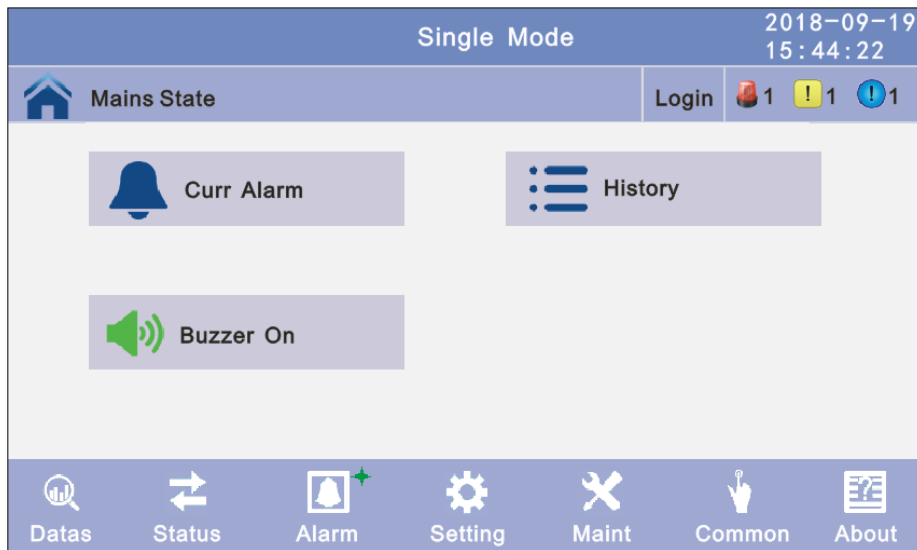
4.3.3.1 Curr Alarm: Click the curr alarm to enter the current alarm display window, click return to return to the previous window, click home page to return to the main page.



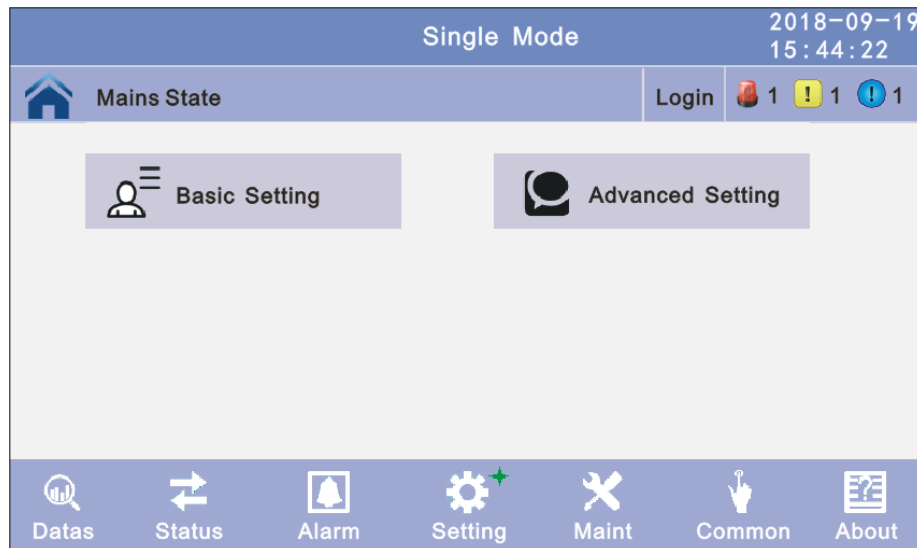
4.3.3.2 History: Click the history to enter the history recode display window, click return to return to the previous window, click home page to return to the main page.

No.	Level	Info	Loc	Time
0001	!	On Line	System	2018-06-15 18:12:00
0002	!	Rectifier Activated	System	2018-06-15 18:12:00

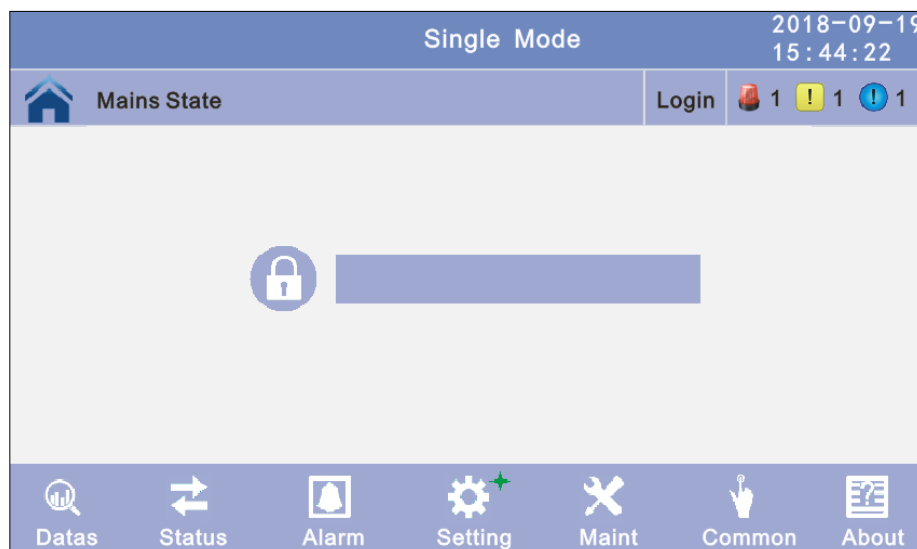
4.3.3.3 Buzzer: Click the buzzer mute then the buzzer will mute and the red block will change to green, if the buzzer is on, then click the block buzzer will on and the block will change to red. click return to return to the previous window, click home page to return to the main page.

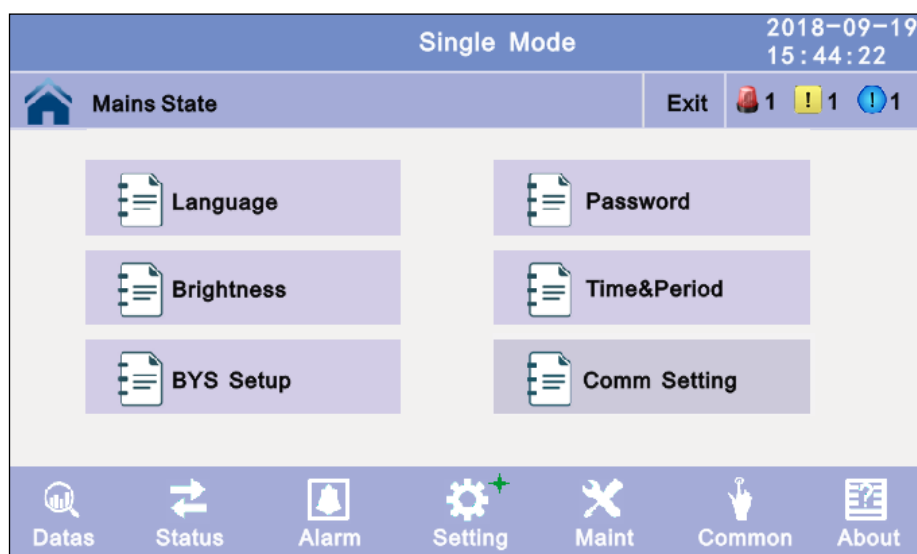
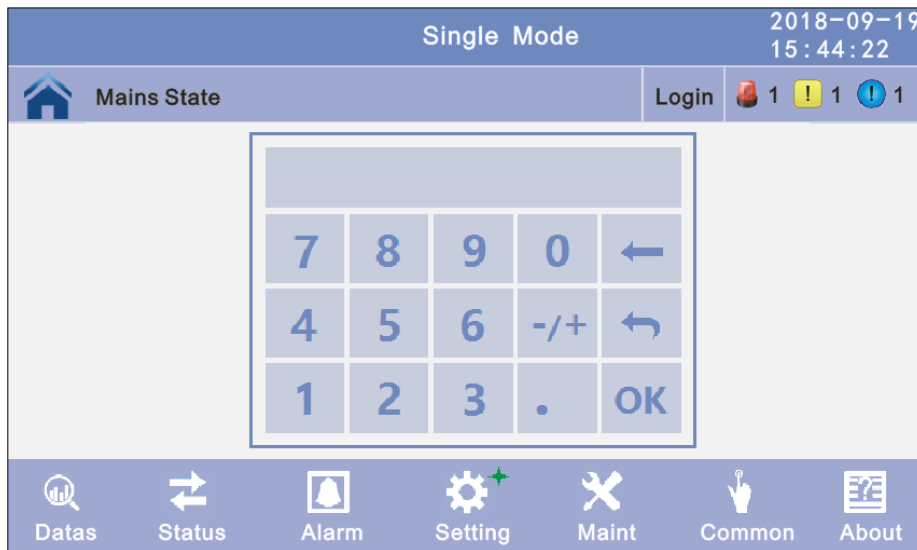


4.3.4 Setting: There are two levels, the basic setting for user settings, advanced setting for technical personnel, please contact the relevant technical personnel to enter advanced settings.

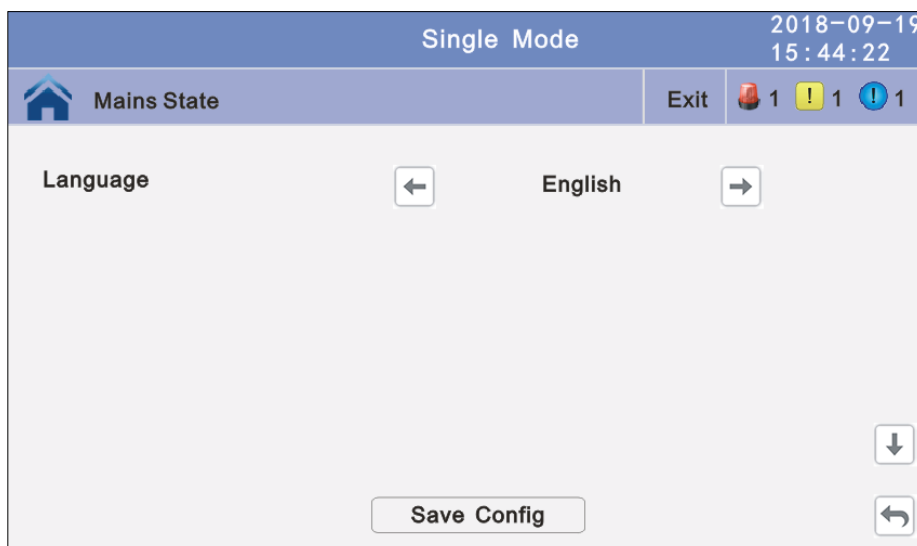


4.3.4.1 Basic Setting: Click basic setting, enter by input the correct password. The user password is "111111".



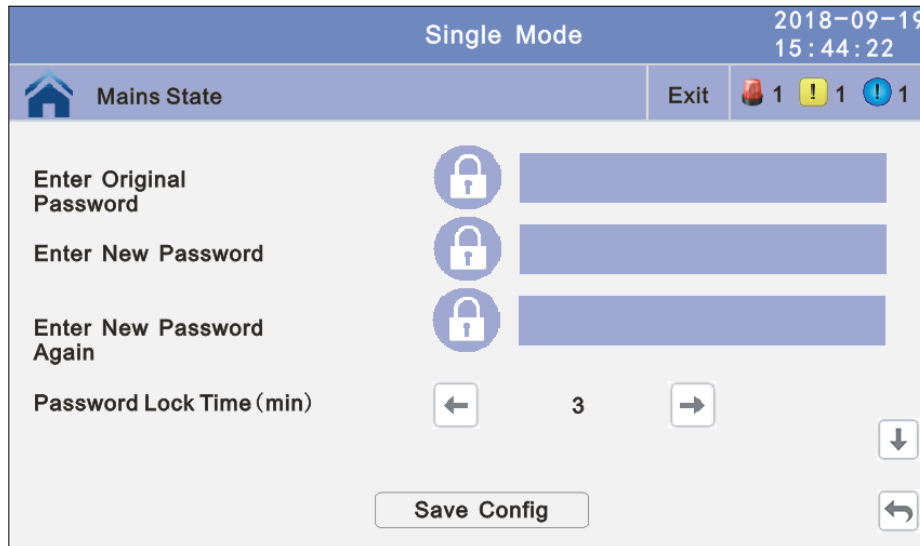


4.3.4.1.1 Language: Click the language block with which you want and click the save config block to save. click return to return to the previous window, click home page to return to the main page.



4.3.4.1.2 Password: Click password block enter user password setting page, input old password and new password, then click save confirm to save the change. Password format is six numbers. click return to return to the previous window, click home page to return to the main page.

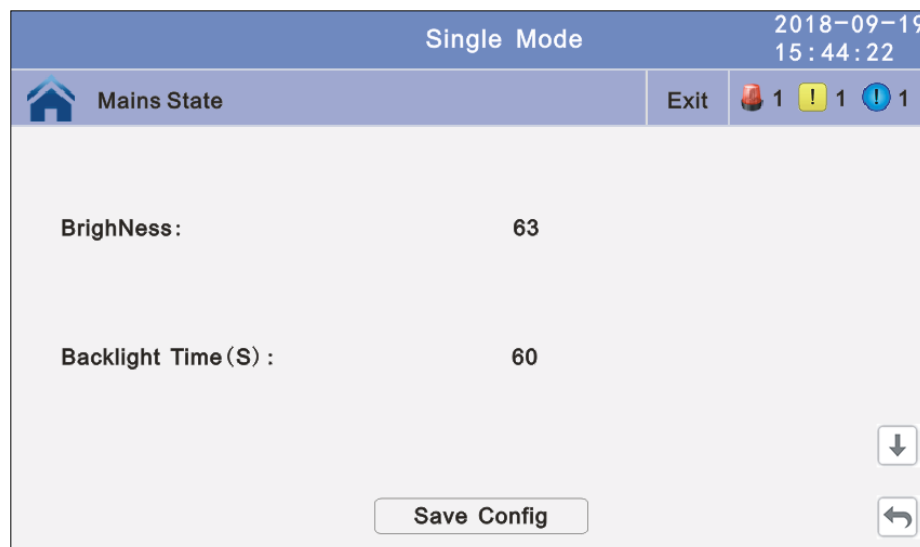
Password lock time: When LCD is not touched, it needs to re login when the setting value is set, click left or right block to change the value.



4.3.4.1.3 Brightness and Backlight time: Click the block to change value. click return to return to the previous window, click home page to return to the main page.

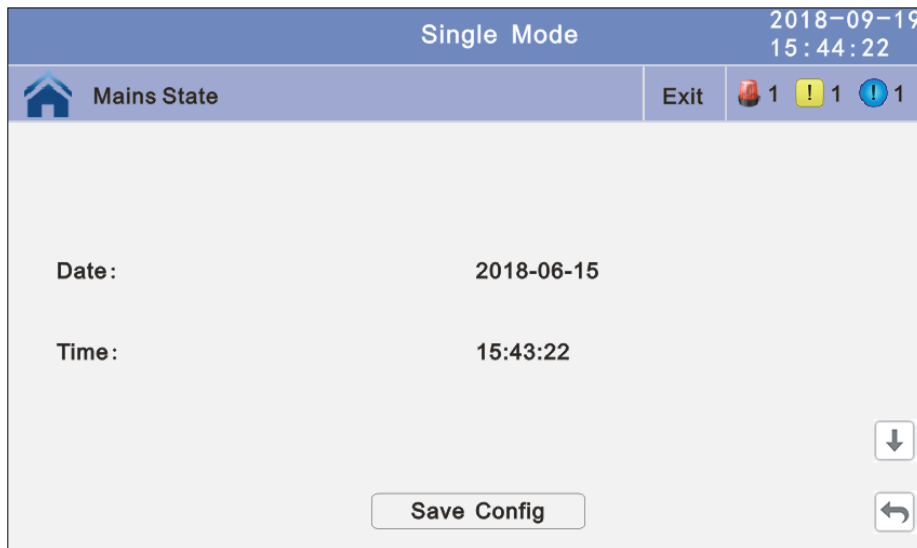
Brightness: Click the text to input new value and click the save config block to save. Value range is 1~63, default value is 63. Click return to return to the previous window, click home page to return to the main page.

Backlight time: LCD backlight delay time, click the text to input new value and click save config block to save. Value range is 1~255, default value is 60. Click return to return to the previous window, click home page to return to the main page.



4.3.4.1.4 Date and time setting: Click the text to select other value or input new value and click save config block to save. Click return to return to the previous window, click home page to return to the main page.

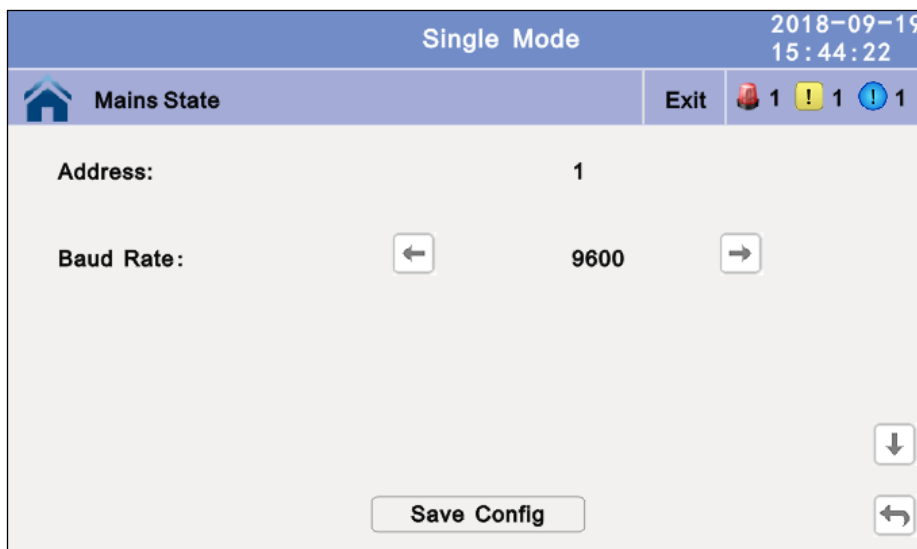
Date: current date
Time: current time



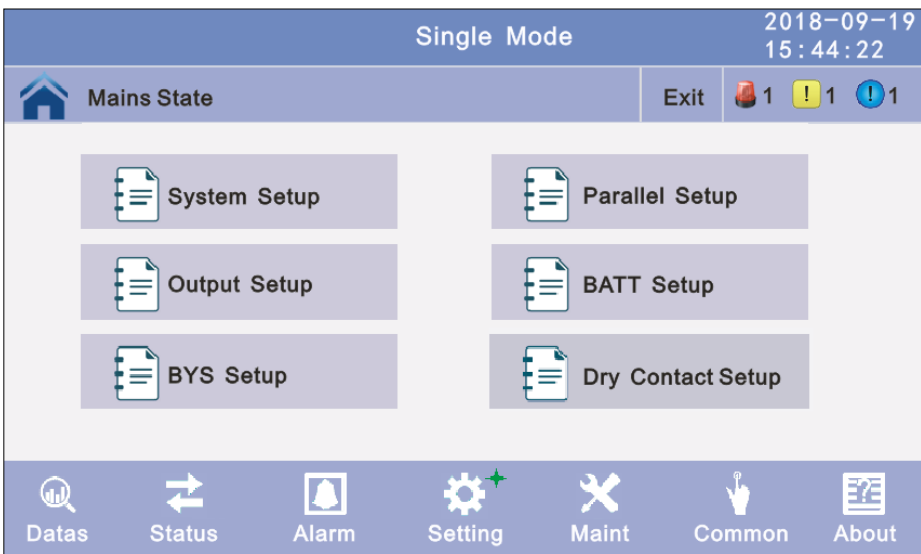
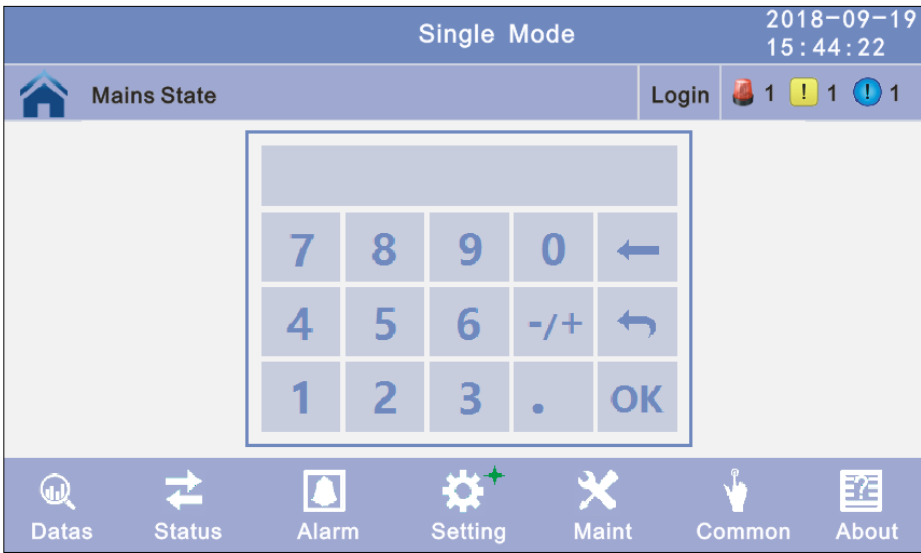
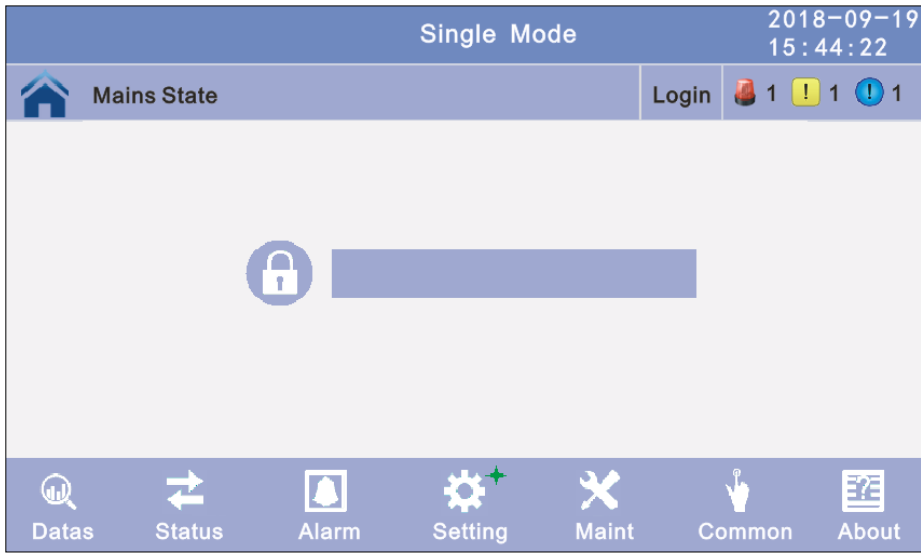
4.3.4.1.5 Communication setting: Click the text to select other value or input new value and click save config block to save. Click return to return to the previous window, click home page to return to the main page.

Rs485 address: UPS communication ID, address range is 1~15, default is 1.

Rs485 Baud Rate: baud rate: 2400, 4800, 9600, 14400, 19200, default is 9600



4.3.4.2 Advanced Setting: Click advanced setting, enter by input the correct password. Advanced setting password to be required to the UPS vendor or to its representative.



4.3.4.2.1 System setting: Click the text to select other value or input new value and click save config block to save. Click return to return to the previous window, click home page to return to the main page.

Working Mode: Select the work mode of UPS, work mode: Single mode, Parallel mode, ECO mode.

Auto Turn-on: Select the UPS start logic, Enable: UPS start inverter output automatic, Disable: No output.

Aging Load Rate: The value can be 18~100%, default value: 60%.

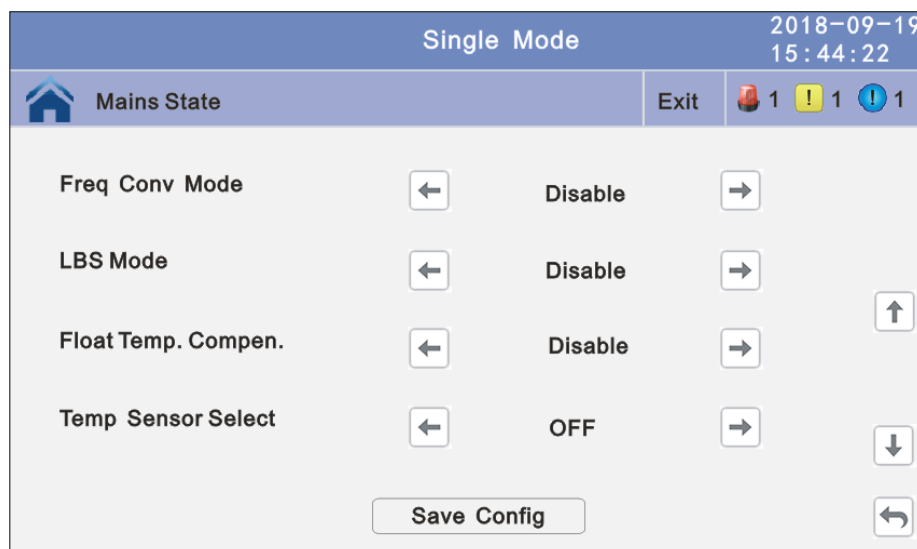


Freq Conv Mode: Frequency conversion mode, enable: output frequency set 50Hz or 60Hz, input frequency is 60Hz or 50Hz, UPS no alarm not battery and bypass abnormal. Default is Disable.

LBS mode: setting value: LBS disable, LBS master, LBS slave. Default is LBS disable.

Temp Sensor Switch: temperature sensor compensation switch, when need to connect battery temperature sensor, please change the value to enable.

Temp Sensor Select: temperature sensor type select. Has tow types: NTC and RS485. NTC for single and short distance. Rs485 for multiple and far distance.



Power Walk in: this is enable the UPS to control the interval that each module transfers from battery mode to normal mode, which reduces the impact on the generator or power grid. The value can be 1~20, default value is 1.

Inter Power Walk in: this is enable the UPS to control the interval that each rack transfers from battery mode to normal mode, which reduces the impact on the generator or power grid. The value can be 0~200, default value is 10.

Inter sleep mode: when load less than the software setting value, same parallel rack will turn to standby mode and if the load more than the setting value some rack will turn to inverter mode after setting the sleep mode enable. Default value is disable.



Basic Unit Numb: power module number for actual configuration, if setting number no the same to actual number, UPS will alarm.

Cabinet Power: cabinet power range, the same power range of bypass.

Sleep Mode: when load less than the software setting value, same power module will turn to standby mode and if the load more than the setting value some power module will turn to inverter mode after setting the sleep mode enable. Default value is disable.



Parallel ID: Parallel operation ID, must modify the ID after set work mode to parallel mode. The value can be 1~6, default value is 1.

Cabinet Paral Basic Units: Parallel cabinet number, must modify the total parallel cabinet number after set work mode to parallel mode. The value can be 2~6, default value is 2.

Cabinet Paral Redunt Units: Parallel redundancy cabinet number, can modify the redundancy cabinet number after set work mode to parallel mode. The value can be 0~5, default value is 0.

Single Mode		2018-09-19 15:44:22	
Mains State	Exit	1	1 1
Parallel ID		1	
Cabinet Paral Basic Units		2	
Cabinet Paral Redund Units		0	
<input type="button" value="Save Config"/>			

Output Freq: Output frequency, The value can be 50Hz or 60Hz.

Output Volt Level: Output voltage level, The value can be 220V, 230V, 240V.

Inverter Volt Adajust: Inverter voltage adjust, The value can be -5%~0~+5%, step is 0.5%, default value: 0.

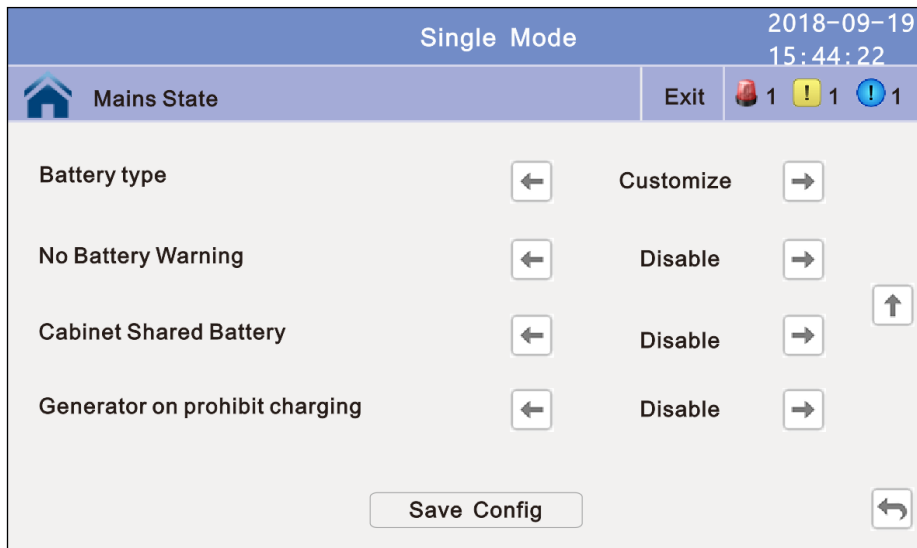
Single Mode		2018-09-19 15:44:22	
Mains State	Exit	1	1 1
Output Freq (Hz)		50.0	
Output Volt Level (V)		220.0	
Inverter Volt Adajust (%)		0.0	
<input type="button" value="Save Config"/>			

Battery type: Must modify the battery type to actual configuration, this series UPS choose VRLA Battery.

No Battery Warning: Can be no warning when no batter after set disable, and is enable by default.

Cabinet shared battery: Tow parallel ups use common batter bank. The value can be set Disable and enable, disable by default.

Generator on prohibit charging: UPS disable charge the battery if set the value to enable when the generator signal is enable.



Battery Group 1: Must modify the group number to actual configuration, The value can be 1~8, default value is 1.

Battery Group 2: This option needs to be set when multiple sets of batteries are required and connected to the battery breaker auxiliary contact and trips. Must modify the group number to actual configuration, The value can be 1~8, default value is 1.

Battery Group 3: This option needs to be set when multiple sets of batteries are required and connected to the battery breaker auxiliary contact and trips. Must modify the group number to actual configuration, The value can be 1~8, default value is 1.

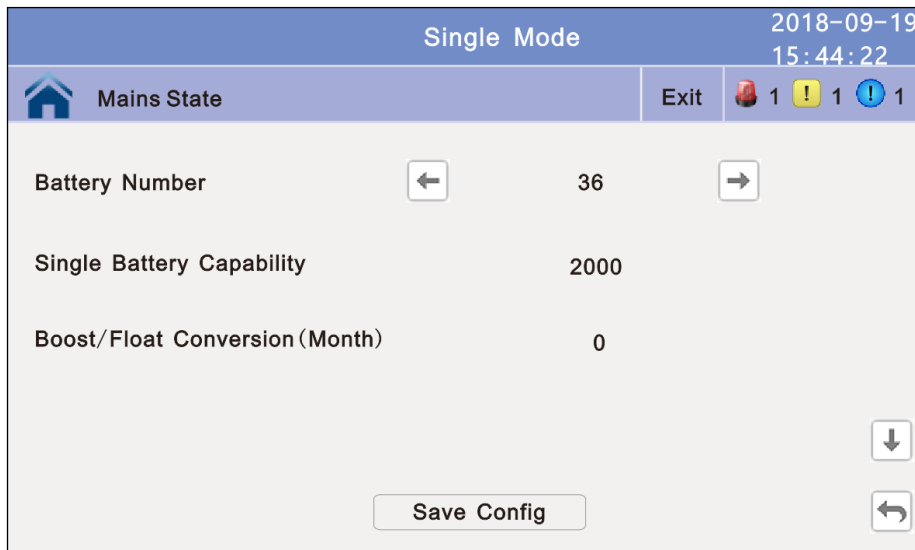
Single Battery Volt: Must modify the voltage to actual configuration, The value can be 2 or 12, default value is 12, for VRLA Battery.



Battery number: Must modify the battery number to actual configuration, The value can be 30~50, default value is 30, for VRLA Battery.

Single Battery Capability: Must modify the value to actual configuration, the value can be 7~2000, for VRLA Battery.

Boost/Float conversion: Boost charge and float charge alternate time, the value can be 0~20, for VRLA Battery.



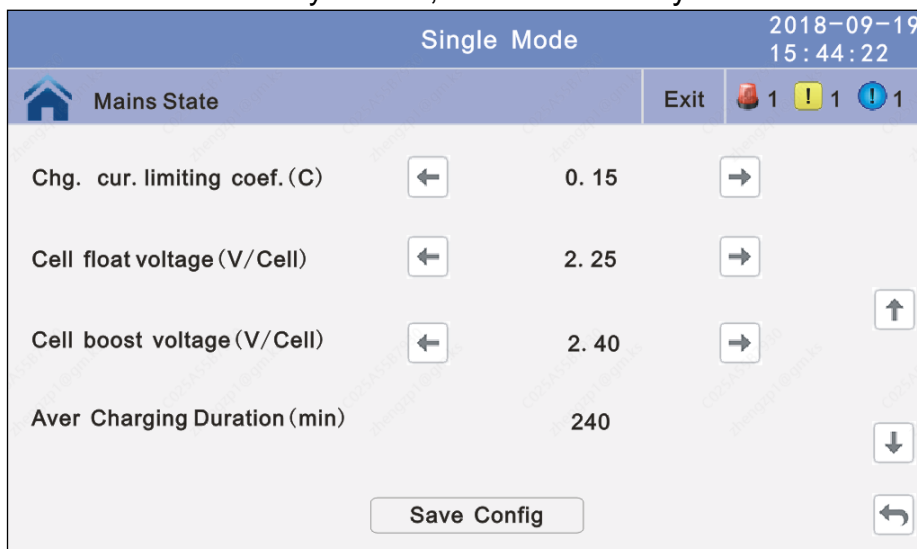
Chg.cur.limiting coef.: The charging current limit is a multiple of the battery capacity.

The value can be 0.05–0.15, and is 0.1 by default, for VRLA Battery.

Cell float voltage: The float voltage value can be 2.23-2.30 V/cell, and is 2.25 V/cell by default, for VRLA Battery.

Cell boost voltage: The battery equalized voltage value can be 2.30–2.40 V/cell, and is 2.30 V/cell by default, for VRLA Battery.

Aver charging Duration: boost charge time limit, the value can be 1–999min, and is 240 by default, for VRLA Battery.



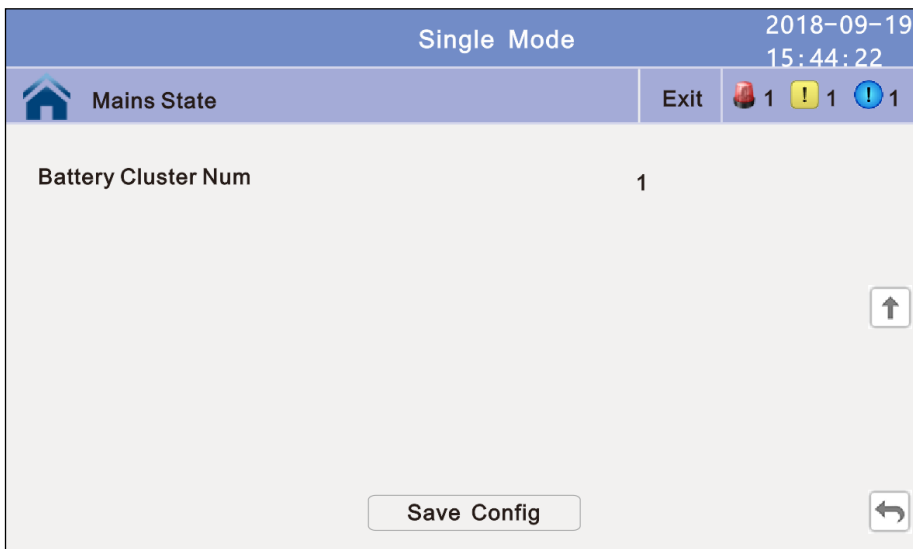
EOD Battery Volt: End of discharge voltage. The value can be 1.60~1.90, and is 1.80 by default, for VRLA Battery.

Float Temp Compens Coeff: Modify the voltage of compensation after enable the switch. the value can be 0.001~0.007/cell, and is 0.003 by default, for VRLA Battery.

Boost Charge Setting: Boost charge disable or enable, and is enable by default, for VRLA Battery.



Battery Cluster Num: set the cluster number of Li battery after set the battery type to “KLI-512”.



Neutral Cable Setting: set the battery cabling type, disable is battery not neutral, enable is battery has neutral.



Bypass Volt Prot Lower Limit: When the difference between the bypass voltage and the rated voltage exceeds the lower threshold for the bypass voltage, the system

determines that the bypass voltage is abnormal and that the bypass is unavailable. The value can be -10%, -15%, -20%, -30%, -45%,. The default value is -45%.

Bypass Volt Prot Limit: When the difference between the bypass voltage and the rated voltage exceeds the upper threshold for the bypass voltage, the system determines that the bypass voltage is not normal and that the bypass is unavailable.

NOTE:

When the voltage level is 380 V, the value range is 10%, 15%, 20%, and 25% (default).

When the voltage level is 400 V, the value range is 10%, 15%, and 20% (default).

When the voltage level is 415 V, the value range is 10% and 15%(default).

Bypass Freq Tracking Range: When the difference between the bypass input frequency and the rated frequency is greater than this value, the system determines that the bypass frequency is not normal, and that the bypass is unavailable. The value range is 1%, 2%, 4%, 5%, 10%(default).

Bypass rate tracking rate: Inverter frequency tracking to bypass frequency rate. The value range is 0.5~2, and is 1 by default.

The screenshot shows a control panel interface titled "Single Mode" with a timestamp of "2018-09-19 15:44:22". The main menu includes "Mains State" and "Exit". There are three status indicators: a red fire icon with "1", a yellow warning icon with "1", and a blue exclamation mark icon with "1". The configuration table is as follows:

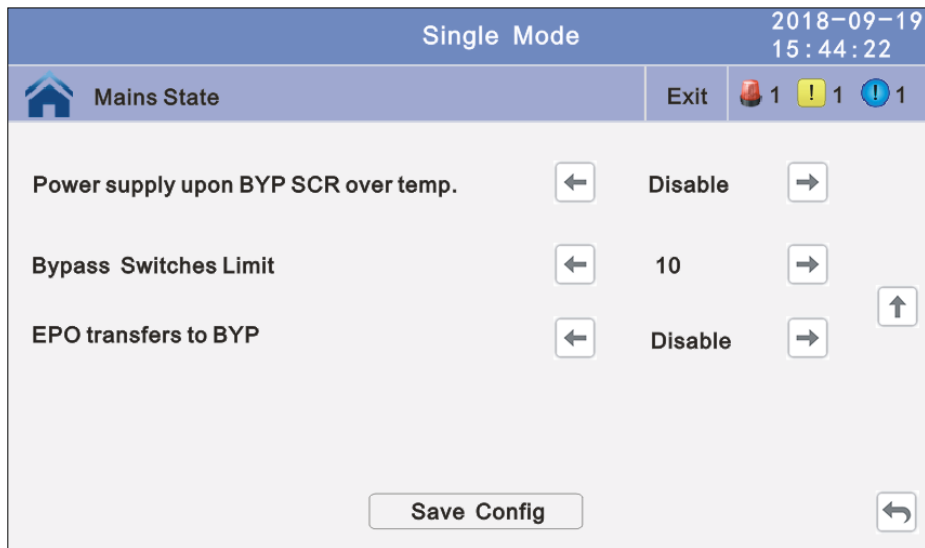
Parameter	Value	Control
Bypass Volt Prot Lower Limit (%)	-45	← →
Bypass Volt Prot Limit (%)	25	← →
Bypass Freq Tracking Range (%)	10	← →
Bypass Tracking Rate (Hz/s)	1.0	← → ↓

At the bottom, there is a "Save Config" button and a return arrow icon.

Power Supply upon BYP SCR Overtemp.: Specifies whether to start bypass mode when overtemperature occurs. The default value is Enable.

Bypass Switches Limit: Cross currents occur during the transfer between bypass mode and normal mode, which impacts the system. This parameter specifies the number of transfers between bypass mode and normal mode within 1 hour, which ensures system security. The value can be 3 to 10, and is 10 by default.

EPO transfers to bypass: Specifies whether to start bypass mode when EPO occurs. The default value is Enable.

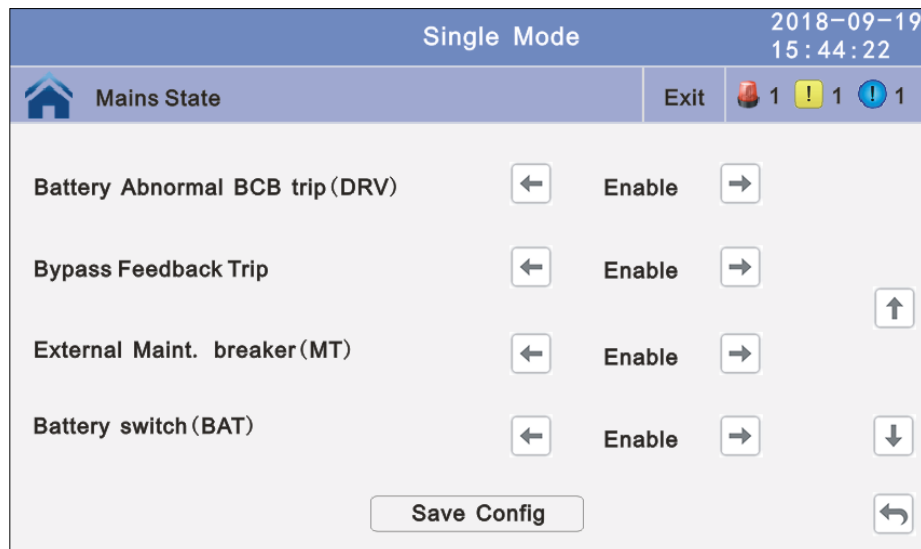


Battery Abnormal BCB trip(DRV): Enable or disable BCB trip single output. The default value is Disable.

Bypass Feedback Trip: Enable or disable bypass feedback output. The default value is Disable.

External Maint. breaker: Enable or disable external maintenance breaker connection detection. The default value is Disable.

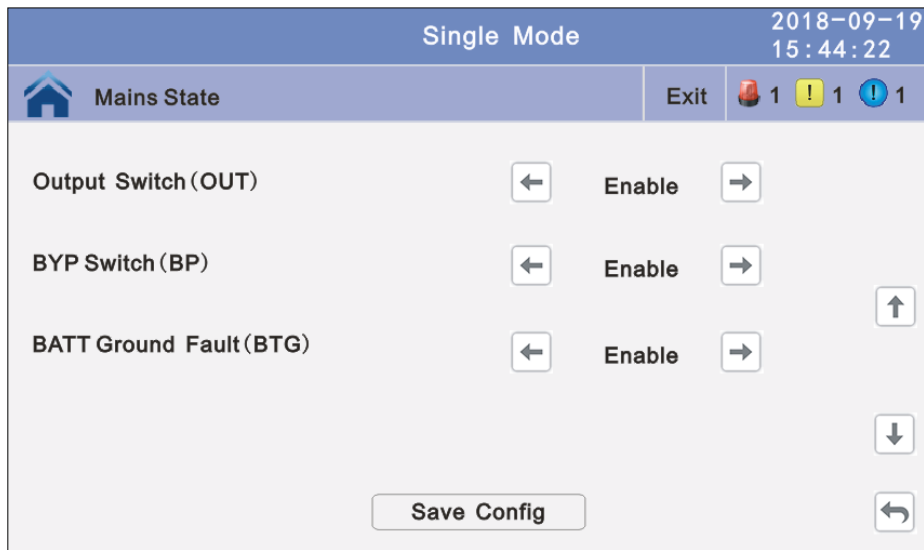
BATT Switch(BAT): Enable or disable battery breaker connection detection. The default value is Disable.



Output Switch: Enable or disable output breaker connection detection. The default value is Disable.

BYP Switch: Enable or disable bypass breaker connection detection. The default value is Disable.

BATT Ground Fault: Enable or disable battery grounding failure detection. The default value is Disable.



Lightning arrester (SPD) : Enable or disable SPD detection. The default value is Disable.

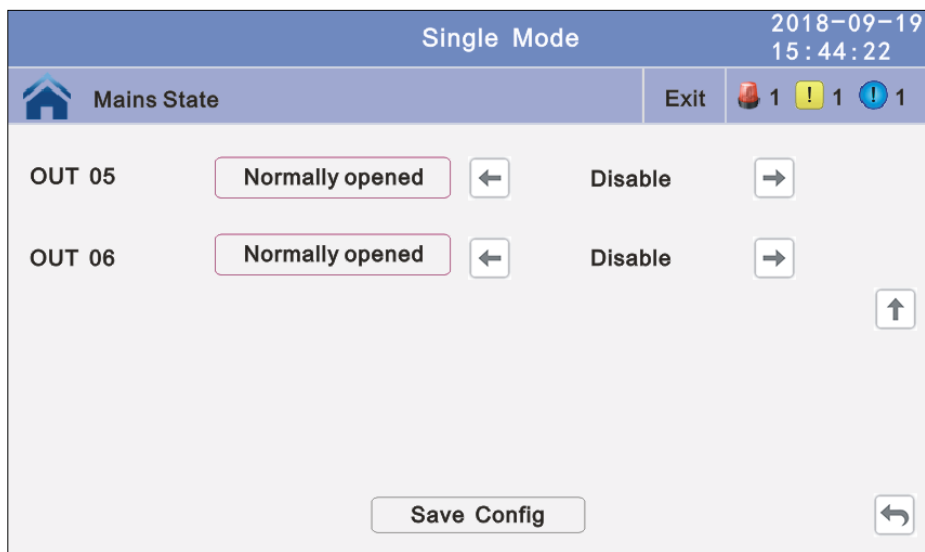
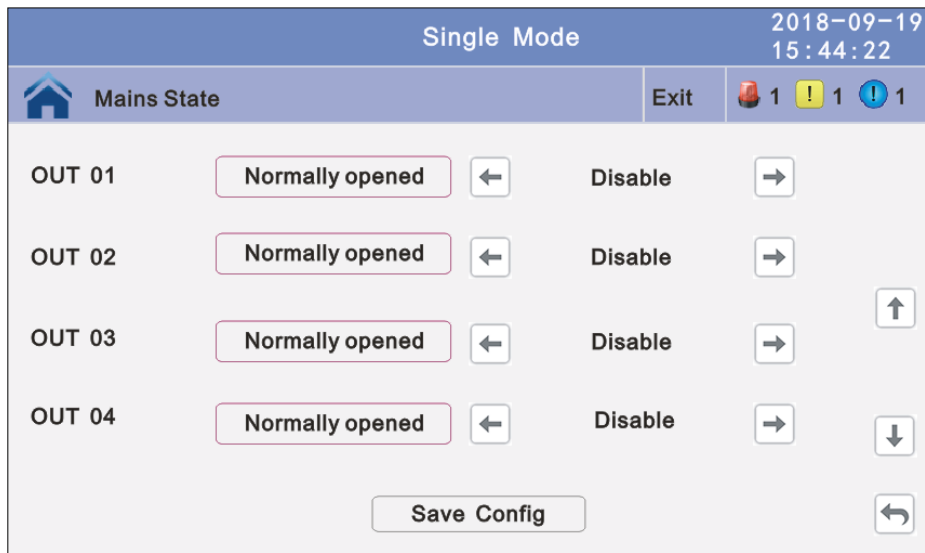
Generator (GEN) : Enable or disable GEN detection. The default value is Disable.



OUT01~OUT06: Output dry contact port, modify on the LCD, the default value is Disable. The output port can set to normally closed or normally open, The default value is normally opened.

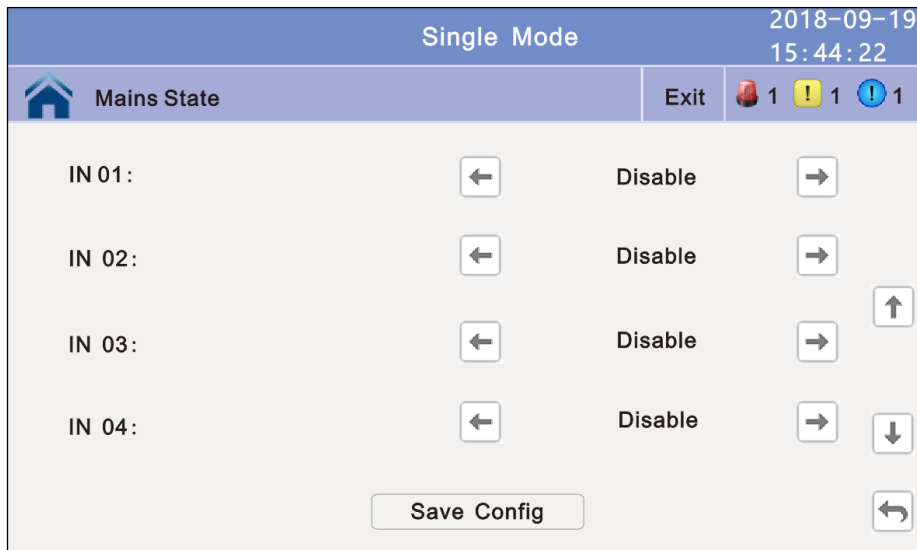
Setting value:

No.	Item	No.	Item
1	URGENT_ALARM	7	BYPASS_SUPPLY
2	MINOR_ALARM	8	BATTERY_SUPPLY
3	MAIN ABNORMAL	9	NO_SUPPLY
4	BATTERY_LOW_VOLT	10	ECO_MODE
5	BATTERY_SELFHECK	11	MAINT_CLOSE
6	MAIN_SUPPLY	12	OIL_MACHINE_CONTROL

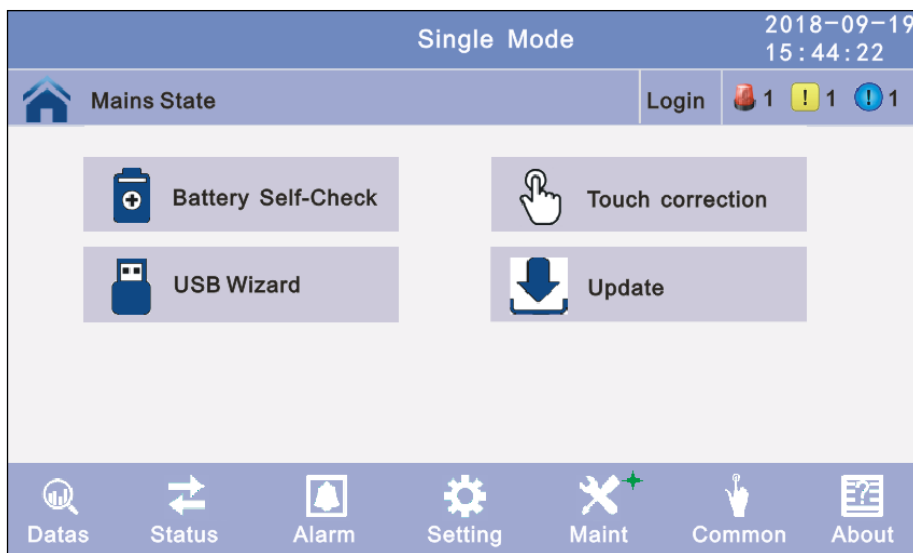


IN01~IN04: Output dry contact port, modify on the LCD. The default value is Disable.
 Setting value:

No.	Item	No.	Item
1	INV ON	7	Disable ECO
2	INV OFF	8	Forced INV OFF
3	Battery inoperable	9	Forced Charger OFF
4	Rack Overtemp.	10	Transformer Overtemp.
5	Custom alarm 3	11	Firefighting Alarm
6	Custom alarm 4	12	BMS internal Fault



4.3.5 Maint: Software update, Touch correction, history download and battery self-test.



4.3.5.1 USB Wizard: History Output, download history and setting record by USB



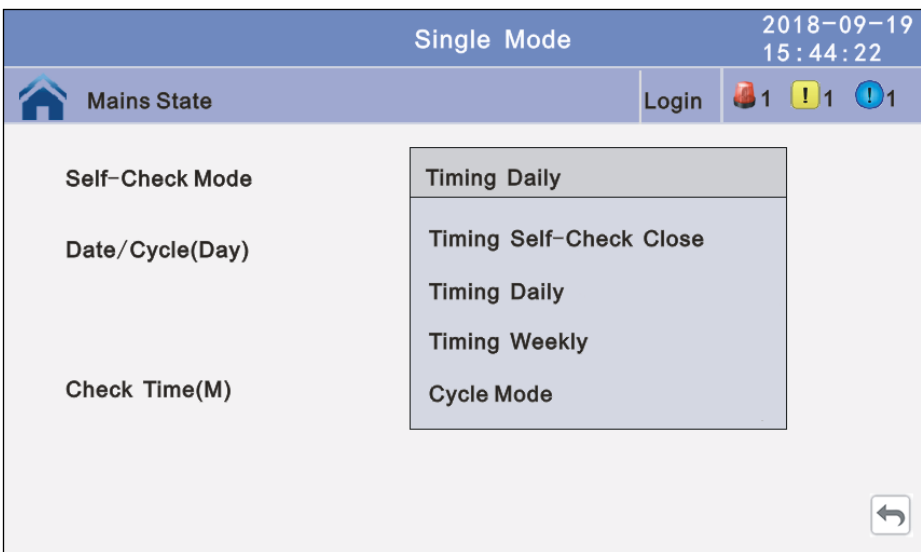
4.3.5.1.1 Alarm Log Output



4.3.5.1.2 Setting Log Output:



4.3.5.2 Battery Self-Check: can select check by Timing Daily, Timing Weekly, Cycle mode. The default value is Timing Self-Check Close.



4.3.5.2.1 Timing Daily: modify the check date, time and check time (10S (default), 10min, EOD).

Single Mode		2018-09-19 15:44:22	
Mains State	Login	1	1 1
Self-Check Mode	Timing Daily		
Date/Cycle(Day)	20 Day	20 Hour	20 Min
Check Time(M)		10s	
Save Config			

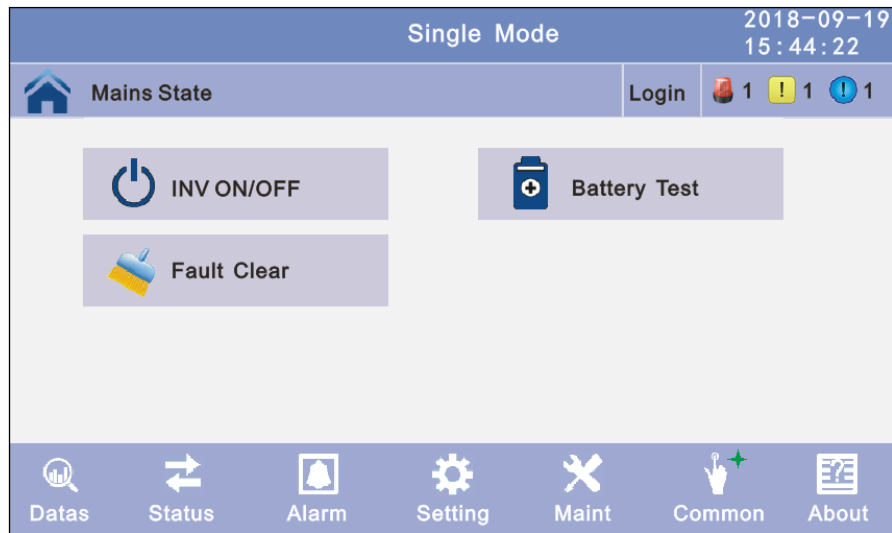
4.3.5.2.2 Timing Weekly: modify the check date, time and check time (10S (default), 10min, EOD).

Single Mode		2018-09-19 15:44:22	
Mains State	Login	1	1 1
Self-Check Mode	Timing Weekly		
Date/Cycle(Day)		Monday	
	20 Hour	20 Min	
Check Time(M)		10s	10s
Save Config			

4.3.5.2.3 Timing Cycle mode: modify the cycle date and check time (10S (default), 10min, EOD).

Single Mode		2018-09-19 15:44:22	
Mains State	Login	1	1 1
Self-Check Mode	Cycle Mode		
Date/Cycle(Day)	1		
Check Time(M)		10s	
Save Config			

4.3.6 Common: INV ON/OFF, Battery test and Fault clear.



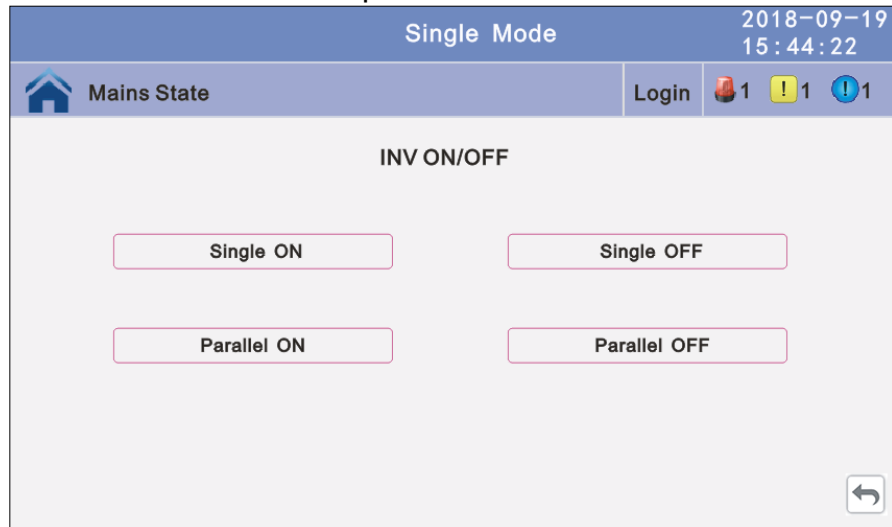
4.3.6.1 INV ON/OFF

Single OFF: Inverter OFF location UPS

Single ON: Inverter ON location UPS

Parallel OFF: Inverter OFF all parallel UPSs

Parallel ON: Inverter ON all parallel UPSs



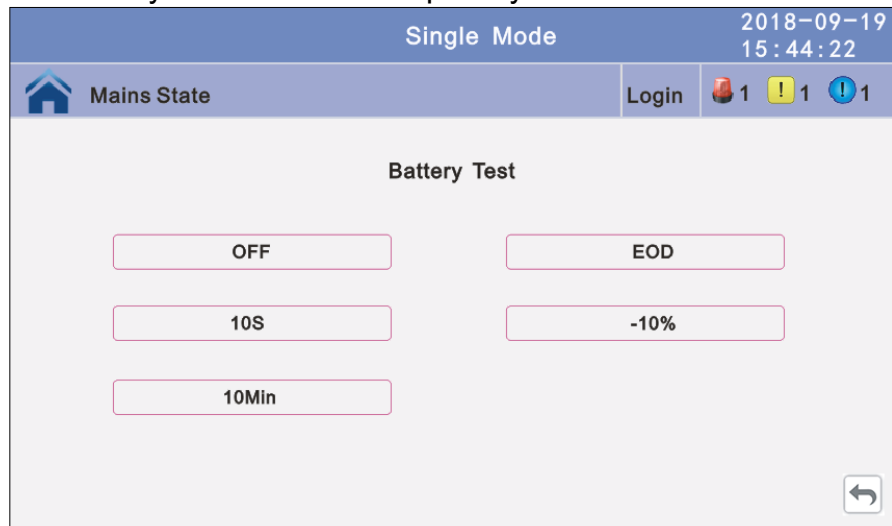
4.3.6.2 Battery Test

10S: battery test for 10s

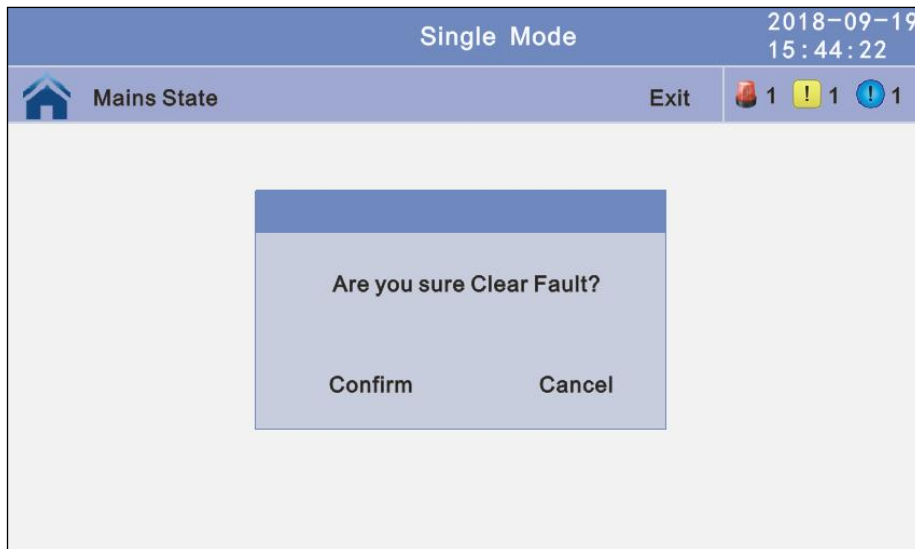
10min: battery test for 10min

EOD: battery test to EOD

-10%: battery test down 10% capability.

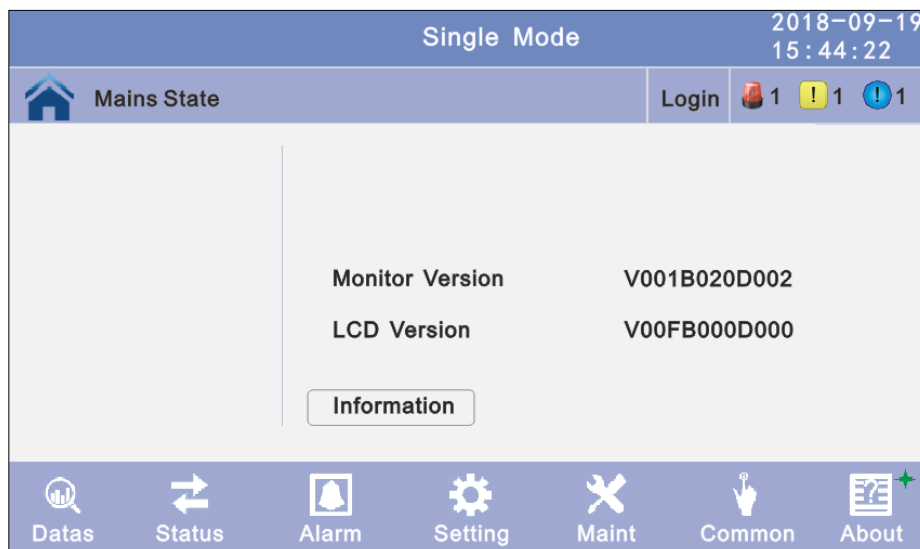


4.3.6.3 Fault clear: Clear the current fault (not for all faults).



4.3.7 About: check the software version

4.3.7.1 Monitor and LCD software version

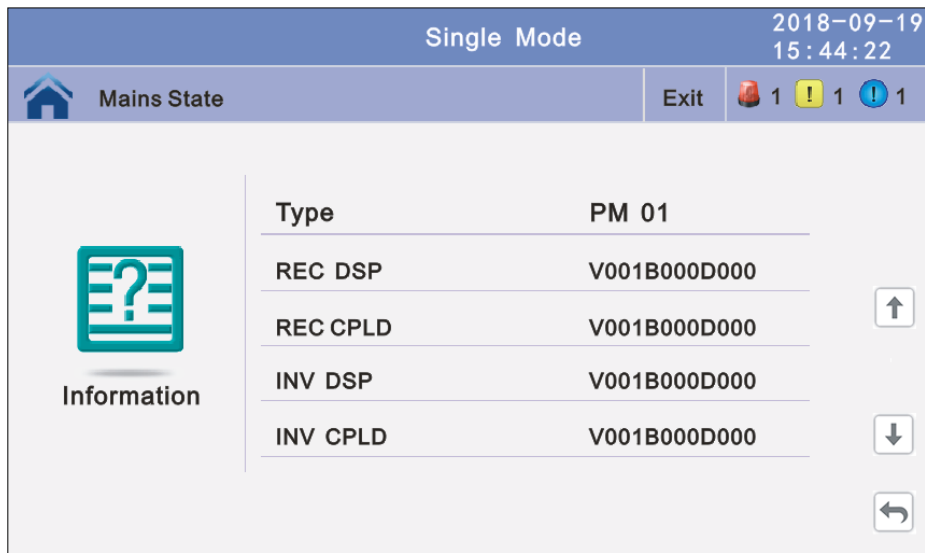


4.3.7.2 Internal software version

Power module software version: PFC DSP, PFC CPLD, INV DSP and INV CPLD.

Center control unit (ECU) software version: DSP and PFGA

Bypass module software version: DSP and CPLD



4.4 Display Messages/Troubleshooting

This section lists the event and alarm messages that the UPS might display. The messages are listed in alphabetical order. This section is listed with each alarm message to help you troubleshoot problems.

Fault Information

No	Fault Cord	UPS Alarm Warning	Buzzer	LED
1	002	REC Over Temperature	Twice per second	Fault LED lit
2	003	REC par. cable Fault	Twice per second	Fault LED lit
3	004	REC Over Current	Beep continuously	Fault LED lit
4	005	REC Power Fault	Beep continuously	Fault LED lit
5	007	Input SCR Fault	Beep continuously	Fault LED lit
6	00A	Battery SCR Fault	Beep continuously	Fault LED lit
7	00C	Charge SCR Fault	Beep continuously	Fault LED lit
8	00E	Fan Fault	Beep continuously	Fault LED lit
9	011	Fan Power fault	Beep continuously	Fault LED lit
10	012	Charger Over Temp.	Beep continuously	Fault LED lit
11	013	Soft Start Failed	Beep continuously	Fault LED lit
12	014	BAT Charger Fault	Beep continuously	Fault LED lit
13	016	REC Comm. Fault	Once per 2 seconds	Fault LED blinking
14	019	REC Initializes Fault	Beep continuously	Fault LED lit
15	01D	Unit insert fault	Once per 2 seconds	Fault LED lit
16	063		Once per 2 seconds	Fault LED lit
17	01E	Rectifier Fault	Beep continuously	Fault LED lit
18	041	Inverter Fault	Beep continuously	Fault LED lit

No	Fault Cord	UPS Alarm Warning	Buzzer	LED
19	044	INV IGBT SHORT	Beep continuously	Fault LED lit
20	047	Inverter relay Short	Beep continuously	Fault LED lit
21	04A	Inverter relay Broken	Beep continuously	Fault LED lit
22	04D	INV par. cable Fault	Twice per second	Fault LED lit
23	051	Output Short Circuit	Once per second	Fault LED blinking
24	054	INV Comm. Fault	Once per 2 seconds	Fault LED blinking
25	057	INV Initializes Fault	Beep continuously	Fault LED lit
26	05A	INV self-test Fault	Beep continuously	Fault LED lit
27	05E	DC Component Fault	Once per 2 seconds	Fault LED lit
28	061	DC bus abnormal	Beep continuously	Fault LED lit
29	064	INV DSP Power Fault	Beep continuously	Fault LED lit
30	067	INV Over Temperature	Twice per second	Fault LED lit
31	068	Load Sharing Fault	Twice per second	Fault LED lit
32	06A	Cabinet mode Fault	Beep continuously	Fault LED lit
33	06B	Fuse Broken	Beep continuously	Fault LED lit
34	081	Par. cable Fault	Twice per second	Fault LED lit
35	086	ECU Insert Fault	Once per 2 seconds	Fault LED lit
36	088	ECU Power Fault	Beep continuously	Fault LED lit
37	08B	ECU Comm. Fault	Beep continuously	Fault LED lit
38	08D	ECU Initializes Fault	Once per 2 seconds	Fault LED blinking
39	091	Bypass SCR Broken	Beep continuously	Fault LED lit
40	0C2		Beep continuously	Fault LED lit
41	094	Bypass SCR short	Beep continuously	Fault LED lit
42	0C5		Beep continuously	Fault LED lit
43	097	BPS Over Temperature	Beep continuously	Fault LED lit
44	0CF		Beep continuously	Fault LED lit
45	09A	Output CT Reverse	Beep continuously	Fault LED lit
46	09B	Dry-contact Power Fault	Beep continuously	Fault LED lit
47	09C	Dry-contact Comm. Fault	Beep continuously	Fault LED lit
48	09D	Bypass Feedback Fault	Beep continuously	Fault LED lit
49	0C1	BYS Par.cable Fault	Beep continuously	Fault LED lit
50	0C8	BPS Comm. Fault	Beep continuously	Fault LED lit
51	0CA	Bypass Initializes Fault	Beep continuously	Fault LED lit
52	0CD	Bypass connected fault	Beep continuously	Fault LED lit
53	0D2	Bypass Fan Fault	Beep continuously	Fault LED lit

Alarm Information

No	Alarm Cord	UPS Alarm Warning	Buzzer	LED
1	103	Battery Over Voltage	Once per second	Alarm LED lit
2	104	BAT Low Pre-warning	Once per second	Alarm LED lit
3	105	Battery Reverse	Twice per second	Alarm LED lit
4	106	Battery EOD	Once per second	Alarm LED lit
5	107	Battery Voltage low	Once per second	Alarm LED lit
6	108	No Battery	Once per second	Alarm LED lit
7	109	Input Phase Reverse	Once per second	Alarm LED lit
8	10A	Input N-Line lost	Twice per second	Alarm LED lit
9	10B	Mains Freq. Abnormal	Once per 2 seconds	Alarm LED lit
10	10C	Mains Volt. Abnormal	Once per 2 seconds	Alarm LED lit
11	10D	REC Comm. Error	Once per 2 seconds	Alarm LED lit
12	10E	Mains input lost	Once per 2 seconds	Alarm LED lit
13	10F	Set Data Err.	Once per 2 seconds	Alarm LED lit
14	121	INV Par. cable abnormal	Once per 2 seconds	Alarm LED lit
15	125	INV Overload	Once per 2 seconds	Alarm LED lit
16	126	INV not synchronized	Beep continuously	Alarm LED lit
17	12A	INV Set Data Err	Once per 2 seconds	Alarm LED lit
18	129	INV Comm. Error	Once per 2 seconds	Alarm LED lit
19	141	Bypass Switch to Num	Once per 2 seconds	Alarm LED lit
20	142	Unit quantity mismatch	Once per 2 seconds	Alarm LED lit
21	143	Parallel Overload	Once per 2 seconds	Alarm LED lit
22	144	Bypass Overload	Once per 2 seconds	Alarm LED lit
23	145	Maint. Switch Misuse	Once per 2 seconds	Alarm LED lit
24	146	ECU Comm. Error	Once per 2 seconds	Alarm LED lit
25	147	Par. cable abnormal	Once per 2 seconds	Alarm LED lit
26	14B	ECU Par. cable abnormal	Once per 2 seconds	Alarm LED lit
27	14C	ECU Abnormal	Once per 2 seconds	Alarm LED lit
28	14E	BPS Phase Reversed	Once per second	Alarm LED lit
29	162		Once per second	Alarm LED lit
30	14F	BPS Unable To Trace	Once per 2 seconds	Alarm LED lit
31	163		Once per 2 seconds	Alarm LED lit
32	150	BPS Not Available	Once per second	Alarm LED lit
33	164		Once per second	Alarm LED lit
34	151	Ecu Set Data Err	Once per 2 seconds	Alarm LED lit
35	161	BPS Par.cable abnormal	Once per 2 seconds	Alarm LED lit
36	165	Bypass Comm. Error	Once per 2 seconds	Alarm LED lit
37	166	Bypass module take over	Once per 2 seconds	Alarm LED lit

4.5 Options

Network Management Card with Environmental Monitoring



CAUTION!

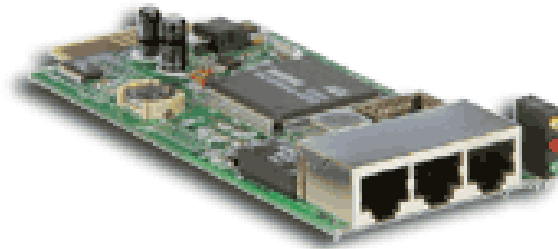
For network management configuration and use, refer to the separate user manual - Network Management Card with Environmental Monitor - shipped with the CARD.

Network Management Card replacement

SNMP card: internal SNMP / external SNMP optional

- ◆ Loosen the 2 torque screws (on each side of the card).
- ◆ Carefully pull out the card. Reverse the procedure for re-installation

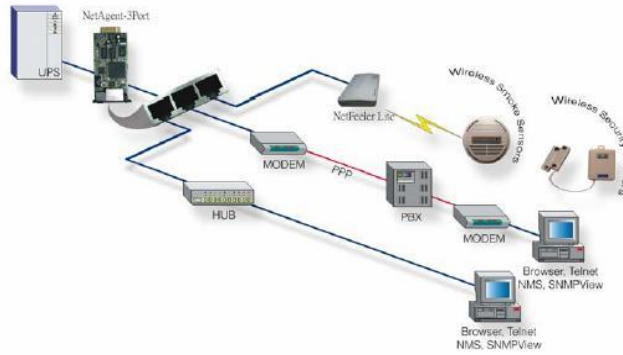
The slot called SNMP supports the MEGAtec protocol. We advise that NetAgent II-3 port is also a tool to remotely monitor and manage any UPS system



The overview of the SNMP card

NetAgent II-3Ports supports the Modem Dial-in (PPP) function to enable the remote control via the internet when the network is unavailable.

In addition to the features of a standard NetAgent Mini, NetAgent II has the option to add NetFeeler Lite to detect temperature, humidity, smoke and security sensors. Thus, making NetAgent II a versatile management tool. NetAgent II also supports multiple languages and is setup for web-based auto language detection.



Typical topology of the UPS Network Management

Appendix 1 Specifications

Cabinet (30 kVA module)		60kVA	150kVA
Capacity (VA/Watts)	UPS cabinet	30k~60k / 30k~60k	30k~150k / 30k~150k
	Module	30k / 30k	
	Max. Number	2+1	5
Cabinet (25 kVA module)		50kVA	125kVA
Capacity (VA/Watts)	UPS cabinet	25k~50k / 25k~50k	25k~125k / 25k~125k
	Module	25k / 25k	
	Max. Number	2+1	5
Cabinet (20 kVA module)		60kVA	100kVA
Capacity (VA/Watts)	UPS cabinet	20k~60k / 20k~60k	20k~100k / 20k~100k
	Module	20k / 20k	
	Max. Number	3 / 3+1(optional)	5
Cabinet (15 kVA module)		45kVA	75kVA
Capacity (VA/Watts)	UPS cabinet	15k~45k / 15k~45k	15k~75k / 15k~75k
	Module	15k / 15k	
	Max. Number	3 / 3+1(optional)	5
Cabinet (10 kVA module)		30kVA	50kVA
Capacity (VA/Watts)	UPS cabinet	10k~30k / 10k~30k	10k~50k / 10k~50k
	Module	10k / 10k	
	Max. Number	3 / 3+1(optional)	5
INPUT			

Nominal voltage	380/400/415Vac, (3Ph+N+PE)	
Operating voltage range	138~305Vac for 40% Load; 305~485Vac for 100% Load;	
Operating frequency range	40Hz-70Hz	
Power factor	≥0.99	
Harmonic distortion (THDi)	3% (100% linear load)	
Bypass voltage range	Max. voltage:220V: +25%(optional +10%,+15%,+20%) ; 230V: +20%(optional +10%,+15%) ; 240V: +15%(optional +10%) Min. voltage: -45% (optional-10%, -15%, -20%, -30%)	
Bypass Frequency range	Frequency protection range: ±10%	
Generator input	Support	
OUTPUT		
Rated voltage	380/400/415Vac, (3Ph+N+PE)	
Power factor	1	
Voltage regulation	±1%	
Output frequency	Line Mode	±1%/±2%/±4%/±5%/±10% of the rated frequency(optional)
	Bat. Mode	(50/60±0.1%)Hz
Crest factor	3:1	
Harmonic distortion (THD)	≤2% with linear load ≤4% with non linear load	
Efficiency	UP to 95.8%	
BATTERY		
Battery voltage	Optional Voltage: ±180/192/204/216/228/240/252/264/276/288/300Vdc (30/32/34/36/38/40/42/44/46/48/50pcs optional); 360Vdc~600Vdc (30~50 pcs, 30 pcs define, 36~50 pcs no power derating; 32~34 pcs output power factor 0.9; 30 pcs output power factor 0.8;)	
Power module Charge Current	18A (Max.)	
SYSTEM FEATURES		
Transfer time	Utility to Battery : 0ms; Utility to bypass: 0ms	
Overload	Line Mode	110% overload for 60 min; 125% overload for 10 min; 150% overload for 1 min
	Bypass Mode	135% overload for long term; >1000% overload for 100 ms
Overheat	Line Mode: Switch to Bypass; Backup Mode: Shut down UPS immediately	
Low battery voltage	Alarm and Switch off	
Self-diagnostics	Upon Power On and Software Control	
EPO(optional)	Shut down UPS immediately	
Battery	Advanced Battery Management	
Noise suppression	Complies with EN62040-3	

Audible & Visual alarms	Line Failure, Battery Low, Overload, System Fault		
Status LED & LCD display	Line Mode, Bypass Mode, Battery Low, Battery Bad, Overload & UPS Fault		
Reading on the LCD display	Input, Output, Battery, Command, Setting, Maintenance		
Communication interface	RS232, RS485, Parallel, Dry contact port, Relay card(optional), SNMP card(optional), Battery temperature sensor(optional)		
ENVIRONMENTAL			
Operating temperature	0°C ~ 40°C		
Storage temperature	-25°C ~ 55°C		
Humidity range	0 ~ 95% (non condensing)		
Altitude	< 1500m		
Noise level(from 1M distance)	<58dB	<61dB	
PHYSICAL			
Dimension WxD×H (mm)	UPS cabinet	600×850×1200	
	Module	440x620x86(2U)	
Net weight (kg)	UPS cabinet	125 ~ 150	130 ~ 160
	Module	10kVA: 19 15 ~ 30kVA: 21	
STANDARDS			
Safety	IEC/EN62040-1, IEC/EN60950-1, IEC 50121-5		
EMC	IEC/EN62040-2, IEC61000-4-2, IEC61000-4-3, IEC61000-4-4, IEC61000-4-5, IEC61000-4-6, IEC61000-4-8		

Appendix 2 Problems and Solution

In case the UPS cannot work normally, it might be wrong in installation, wiring or operation. Please check these aspects first. If all these aspects are checked without any problem, please consult with local agent right away and provide below information.

- (1) Product model name and serial number, which can be found in LCD display.
- (2) Try to describe the fault with more details, such as LCD display info, LED lights status, etc.

Read the user manual carefully, it can help a lot for using this UPS in the right way. Some FAQ (frequently asked questions) may help you to troubleshoot your problem easily.

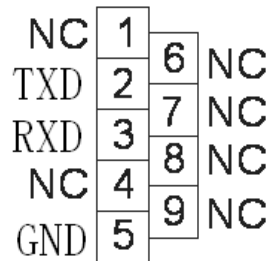
No.	Problem	Possible reason	Solution
1	LCD not display	The network cable is not fixed properly or the telephone line of the front door is not fixed properly.	Connect the network cable and telephone cable properly.

2	LCD Blue screen	LCD is Interference	Take out the cable and insert back properly
3	Utility is connected but the UPS cannot be powered ON.	Input power supply is not connected; Input voltage low; The input switch of the module is not switched on.	Measure if the UPS input voltage/frequency is within the window. Check if all modules input are switched on
4	Utility normal but Utility LED does not light on, and the UPS operates at battery mode	The input switch of the Modules are not switched on; input cable is not well connected	Switch on the input switch; Make sure the input cable is well connected.
5	The UPS does not indicate any failure, but output do not have voltage	Output cable does not well connected	Make sure the output cable is well connected.
6	The UPS module cannot transfer to bypass or inverter	Module does not well inserted; The left coronal screw is not tight. Output switch do not switch on	Pull out the module and insert again; Tighten the screw; Switch on the output switch.
7	The UPS module fault LED remains ON	The module is already damaged	Take out this module, replace with a new module.
8	Utility LED is flashing	Utility voltage exceeds UPS input range.	If the UPS operates at battery mode, please pay attention to the remaining backup time needed for your system.
9	Battery LED is flashing but no charge voltage and current	Battery switch does not switch on, or batteries are damaged, or battery is reversely connected. Battery number and capacity are not set correctly.	Switch on the battery switch. If batteries are damaged, need to replace whole group batteries, Connect the battery cables correctly; Go to LCD setting of the battery number and capacity, set the correct data.
10	Buzzer beeps every 0.5 seconds and LCD display "output overload"	Overload	remove some load
11	Buzzer long beeps, LCD display "output short circuit"	The UPS output is in short circuit	Make sure the load is not in short circuit, and then restart the UPS.
12	The LED of the Module with RED light	The module is not inserted properly.	Pull out the module and insert properly.
13	The UPS only works on bypass mode	The UPS is set to ECO mode, or the transfer times to bypass mode are limited.	Set the UPS working mode to Single Module type(non-parallel) or to reset the times of transferring to bypass or re-start the UPS
14	Cannot Black start	Battery switch is not properly closed; Battery fuse is not open; Or Battery low	Close the battery switch; Change the fuse; Recharge the battery
15	Buzzer beeps continuously and LCD indicates	UPS is out of order	Consult with your local agent for repair

	Rectifier fault or output fault		
--	---------------------------------	--	--

Appendix 3 RS232 communication port definition

Definition of Male port:



Connection between PC RS232 port and UPS RS232 port

PC RS232 port	UPS RS232 port	
Pin 2	Pin 2	UPS send,PC receive
Pin 3	Pin 3	PC send,UPS receive
Pin 5	Pin 5	ground

Available function of RS232

- ◆ Monitor UPS power status.
- ◆ Monitor UPS alarm info.
- ◆ Monitor UPS running parameters.
- ◆ Timing off/on setting.

RS-232 communication data format

Baud rate ----- 9600bps

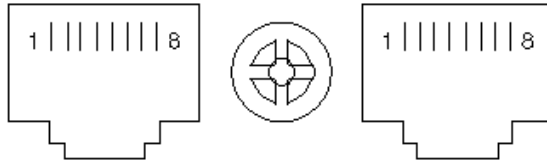
Byte length ----- 8bit

End bit ----- 1bit

Parity check -----none

Appendix 4 RS485 communication port definition

Definition of port:



Connection between the Device's RS485 port and UPS RS485 port.

device(RJ45)	UPS(RJ45)	Description
Pin 1/5	Pin 1/5	485+ "A"
Pin 2/4	Pin 2/4	485 - "B"

Available function of RS485

- Monitor UPS power status.
- Monitor UPS alarm info.
- Monitor UPS running parameters.
- Timing off /on setting.

RS485 communication data format

Baud rate ----- 9600bps

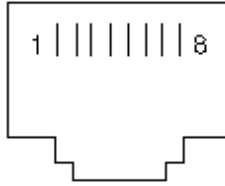
Byte length ----- 8bit

End bit ----- 1bit

Parity check -----none

Appendix 5 BAT_T communication port definition

Definition of port :



Connection between the Device's RS485 port and UPS COM port.

device(RJ45)	UPS(RJ45)	Description
Pin 1/5	Pin 1/5	485+ "A"
Pin 2/4	Pin 2/4	485 - "B"
Pin 7	Pin 7	12Vdc
Pin 8	Pin 8	GND

Available function of RS485

- communicate to temperature sensor

RS485 communication data format

Baud rate ----- 9600bps

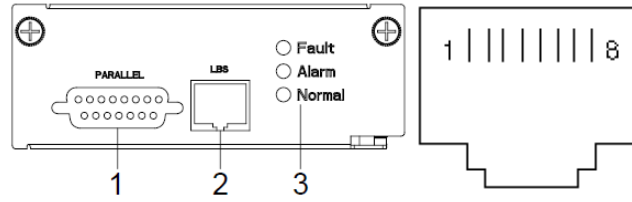
Byte length ----- 8bit

End bit ----- 1bit

Parity check -----none

Appendix 6 LBS port definition

Definition of port:



Connection between the UPS LBS port.

UPS(RJ45)	UPS(RJ45)	Description
Pin 1/2/3	Pin 1/2/3	LBS
Pin 5/7/8	Pin 5/7/8	GND

Available function of LBS

- ◆ The output power of two or more UPS in non-parallel system should be synchronized with each other.
- ◆ The output phase of two or more UPS in non-parallel system should be synchronized with each other.



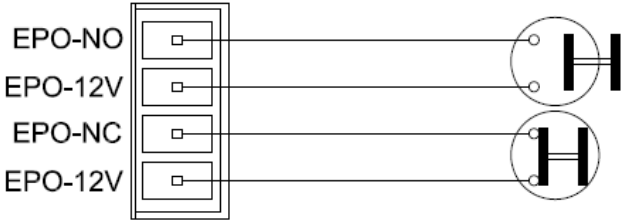
CAUTION!

Two or more LBS cables must be used to form a ring when two or more LBS in non-parallel system. And the cables must use horizontal line.

Appendix 7 REPO instruction

Definition of port:

Connection diagram:



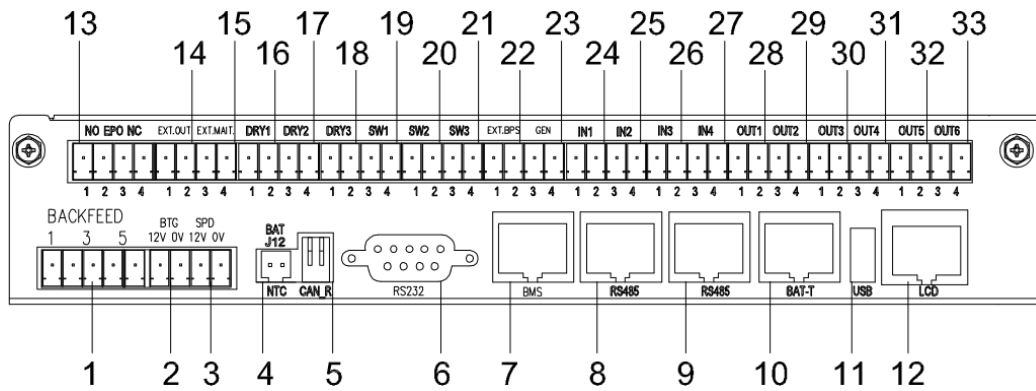
Connection between the button and UPS REPO port.

Button	UPS REPO	Description
Pin 1	Pin 1	EPO-NO
Pin 2	Pin 2	EPO-12V
Pin 1	Pin 3	EPO-NC
Pin 2	Pin 4	EPO-12V

◆A remote emergency stop switch can be installed in a remote location and connection through simple wires to the REPO connector.

Appendix 8 Dry contact ports

Definition of input and output ports



1. Functions of input dry contact ports

No.	Dry contact port	PIN	Function
13	EPO	NO	EPO normally opened port. EPO activation when NO port is shorted to 12V port. When EPO status active the UPS will turn to EPO mode.
		12V	
		NC	
14	Switch status	Ext.OUT	External output breaker status dry contact port. Normally opened port. Status activation when Ext. OUT port pin1 is shorted to pin2.
		Ext.MAIT.	
15		Ext.MAIT.	External maintenance breaker status dry contact port. Normally opened port. Status activation when Ext. MAINT port pin3 is shorted to pin4. When Ext. MAINT status active the UPS will turn to maintenance bypass if the function is enable.
22		Ext.BPS	External bypass breaker status dry contact port. Normally opened port. Status activation when Ext. BPS port pin1 is shorted to pin2.
19		SW1	External battery breaker status dry contact port. Normally opened port. Status activation when SW1 port pin 3 is shorted to pin4, if the function is enable.
20		SW2	External battery breaker status dry contact port. Normally opened port. Status activation when SW2 port pin 1 is shorted to pin2, if the function is enable.
21		SW3	External battery breaker status dry contact port. Normally opened port. Status activation when SW3 port pin 3 is shorted to pin4, if the function is enable.
2	Battery grounding tester	12V	Battery grounding tester status dry contact port. Normally opened. Status activation when BTG port 12V is shorted to 0V port.
		0V	
3	Surge protective device	12V	Surge protective device status dry contact port. Normally opened. Status activation when SPD port 12V is shorted to 0V port.
		0V	
23	Generator Set	12V	Generator Set status dry contact port. Normally opened. Status activation when GEN port 12V is shorted to 0V port. When gen status active the UPS will disable the DC charge if the function is enable.
		0V	
24-27	IN 1-4	12V-GND	Normally opened. When IN port pin 1(3) is shorted to pin2(4), if the function is enable.

2. Functions of output dry contact ports

No.	Dry contact port	PIN	Function
16	Battery breaker	DRY1	Battery group 1 breaker driver port. Normally opened

	driver		port. DRV activation when battery discharge and voltage to EOD. Then DRV port will sent +24V voltage to battery breaker coil to trip the breaker off, if the function is enable.
17		DRY2	Battery group 2 breaker driver port. Normally opened port. DRV activation when battery discharge and voltage to EOD. Then DRV port will sent +24V voltage to battery breaker coil to trip the breaker off, if the function is enable.
18		DRY3	Battery group 3 breaker driver port. Normally opened port. DRV activation when battery discharge and voltage to EOD. Then DRV port will sent +24V voltage to battery breaker coil to trip the breaker off, if the function is enable.
1	BP-BACKFEED	1 3 4	1 is connected to relay common pin, 3 is connected to relay NO pin, 5 is connected to relay NC pin. BP- BACKFEED activation when the UPS work on battery mode and then bypass SCR short. It will alarm that bypass input is high voltage. Relay: 270Vac/5A, 125Vac/10A, 30Vdc/3A
28-33	Out1-6	OUT-Common	It can chose normally opened or normally closed on the LCD. NO will short to com or disconnect from com when the port is enable. The function of the port as per the table in LCD description section. Relays: 125Vac/0.5A, 30Vdc/2A

Appendix 9 Backfeed Protection

Backfeed Protection

The presence of a backfeed protection is required by IEC 62040-1 UPS standard.

An additional external isolation device must be installed upstream the UPS system. A magnetic contactor or a circuit breaker with UVR (Under Voltage Release) functionality can be used for this purpose.

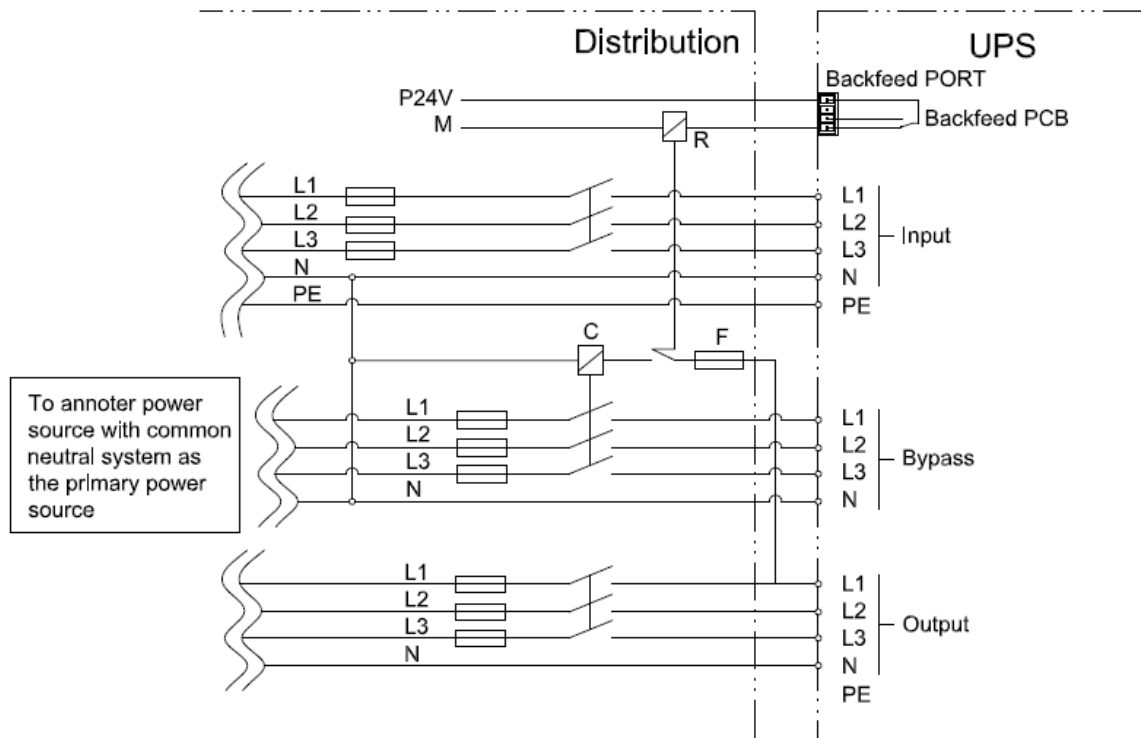
The isolation device must be able to carry the UPS input current (common input in case of single source, bypass input in case of dual source).

E.g. an isolation device can be a magnetic contactor. The coil of the contactor should be supplied by (eg. fused L1-N voltage) the input source in single mains configurations or by the bypass source in dual mains configurations, via the output port as per Appendix 6.

If the contactor coil exceeds the voltage/current limits of the UPS output port a 24 Vcc source should be generated from the same source the contactor coil is supplied from, in order to supply an additional external auxiliary relay coil. The relay contact, properly rated, should allow to supply the contactor coil.

Backfeed installation with relay:

1. Connect the UPS backfeed dry contact port to an external +24 VDC supply pole “+” . Route the cable with the other signal cables.
2. Connect the UPS backfeed dry contact to a terminal of the relay R coil. Route the cable with the other signal cables.
3. Connect the terminal of the relay R coil to a +24 VDC supply pole “-” (M).
4. Connect the fuse F, the auxiliary contact of relay R, and the coil of C as shown in the illustration below.
5. Connect C (L1, L2 , L3) with UPS bypass input (L1, L2, L3) as shown in the illustration below.
6. Connect bypass input (N) with mains feeding (N) in the distribution switchgear.



Backfeed installation without relay:

1. Connect the UPS backfeed dry contact port 1 to F. Route the cable with the other signal cables.
2. Connect the UPS backfeed dry contact port 4 to the contactor C coil. Route the cable with the other signal cables.
3. Connect the fuse F and the coil of C as shown in the illustration below.
4. Connect C (L1, L2 , L3) with with UPS bypass input (L1, L2, L3) as shown in the illustration below.
5. Connect bypass input (N) with mains feeding (N) in the distribution switchgear.

