

FCOS-63 Manual Transfer Switch (MTS) Interlock Circuit Breaker



Product Application

FCOS-63 can be used as a hand-operated miniature dual power transfer switch. In the case of one side breaker closing, the other side of the circuit breaker can only be kept disconnected, and the protection functions of the common power supply (mains) and standby power supply line switching can be realized. FCOS-63 is suitable for use in industrial, shopping malls, shops, hospitals, mines, schools, government agencies and other special places with two main lines, often used with voltage regulators and other electrical appliances.

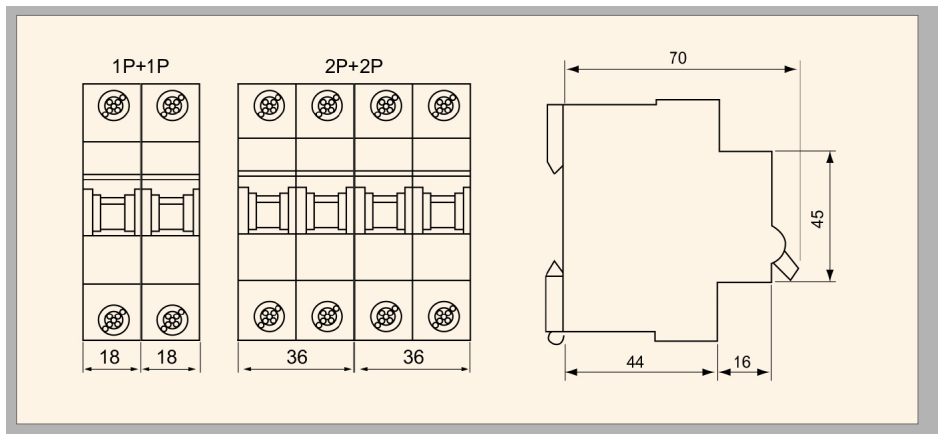
Product Features

- The product has increased the interlocking function, that is, in the case of the closing of one side of the circuit breaker, the other side of the circuit breaker can only maintain the disconnected state, and realize the protection functions such as line switching.
- The product has overload and short circuit protection functions, can be automatically disconnected when a fault occurs on the line, protect the line.
- Power in and out, in line with the characteristics of the power line, easy installation.

Technical Parameters

Name	Manual transfer switch
Rated current	1-63A
Pole	1P+1P, 2P+2P
Rated working voltage	250VDC, 550VDC
Frequency	50HZ
Rated short circuit breaking capacity	4000A

Dimensions



Installation

