

Smart Interactive Display

MW3586-U-E



Key Features

- 4K UHD anti-glare display delivers images with extreme detail.
- Zero bonding technology between lcd panel and cover glass brings brighter viewing and smoother touching experience.
- Ultra-narrow and equal-width bezel design for perfect aesthetics.
- Minimalist geometric line design and smooth border outline, elegant and attractive.
- 8MP professional HD camera for more immersive remote collaboration.
- Omni-directional 8-array microphone, 8m pickup distance, zero communication distance.
- Dual Wi-Fi modules with both Wi-Fi and hotspot support.
- Dual-channel, 6-array speaker brings high-quality surround sound.
- High-precision infrared touch technology allows up to 20-point touch, realizing smooth co-authoring.
- Bluetooth 5.2 offers higher data transmission rate, and lower power consumption.
- 4K UI, mobile-level operation, just like use a mobile phone.
- A variety of quick tools, such as annotation, screenshot, etc., improve usability and interaction efficiency.
- Wireless screen mirroring from various operating systems such as Android, iOS and Windows to the display with one touch.
- Fast file transfer. Allows users to quickly transfer files to the display via a QR code.
- OTA remote upgrade. The system can be upgraded online without backing up data.
- Panel Life Time minimum \geq 50,000 Hours
- Warranty period: 3 years

Specifications

Smart interactive display

Model	MW3586-U-E
Panel	
Backlight	DLED
Panel size	86 inches
Resolution	3840*2160
Brightness (cd/m ²)	350
Contrast ratio	1200:1
Response time (ms)	8
Color support	1.07B
Scan rate	200Hz
Fresh rate	60Hz
Viewing angle (H/V)	178°/178°
Android	
CPU	RK3588: 4-core A76 (2.2G) + 4-core A55 (1.8G)
GPU	Mali-G610
CPU frequency	2.2GHz
RAM/ROM	DDR4: 8GB eMMC: 64GB
Android version	Android 12.0
Touch	
Touch control	Infrared touch screen, 20-point multi-touch at most
Touch precision (mm)	±1
Touch resolution	32768x32768
Recognizable object	5 points 2mm
Glass	4mm tempered glass, level 7 on Mohs hardness scale, anti-glare
Response time (ms)	8
Tracking rate(ms)	8
Touchscreen input	Opaque objects (e.g. finger, pen, etc.)
Interface	
Video input	3*HDMI IN (4K@60)
Video output	1*HDMI OUT (4K@60)

Audio input	1*AUDIO IN
Audio output	1*AUDIO OUT
Control	1*RS232、3* USB 3.0、1* USB Type C、1* USB Type B
Network	2*RJ 45,10M/100M/1000M adaptive Ethernet Interfaces
Audio	
Speaker	Left channel 17W: 1*treble (8Ω 5W) + 2*bass (4Ω 12W) Right channel 17W: 1*treble (8Ω 5W) + 2*bass (4Ω 12W)
Wi-Fi	
Configuration	Wi-Fi6 + Wi-Fi5 dual-module, supports 5G/2.4G
Performance	30 m ² coverage, 20m transmission distance in open space
Bluetooth	
Version	5.2
Performance	10m transmission distance in open space
OSD	
Language supported	3 (Simplified Chinese、English、Spanish)
VESA	
Wall mount hole (mm)	800*400
Wall mount screw	4-M8 screw hole
General	
Power supply	AC 100 to 240V, 50/60Hz
Maximum power consumption (W)	≤365 (on without OPS)
Standby power consumption (W)	<0.5
Operating temperature	0 to 50°C
Operating humidity	10% to 90% (non-condensing)
Storage temperature	-20 to 60°C
Storage humidity	0% to 95% (non-condensing)
Product dimensions (W*H*D)(mm)	1967*1173*89
Package dimensions (W*H*D)(mm)	2117*1336*247
Weight (kg)	Net weight: 68.0 Gross weight:79.2
Accessories included	1*power cord、2*touch pen、1*quick guide

Pluggable 4K Camera Module

Model	HB-7199-CA08
-------	--------------

General	
Resolution	8MP
FOV	Diagonal 112.7°
Distortion	≤5%
Microphone	Omni-directional 8-array
Pickup distance (m)	8
Product dimensions (W*H*D)(mm)	359*50*46
Function	Supports intelligent switching between Android and OPS

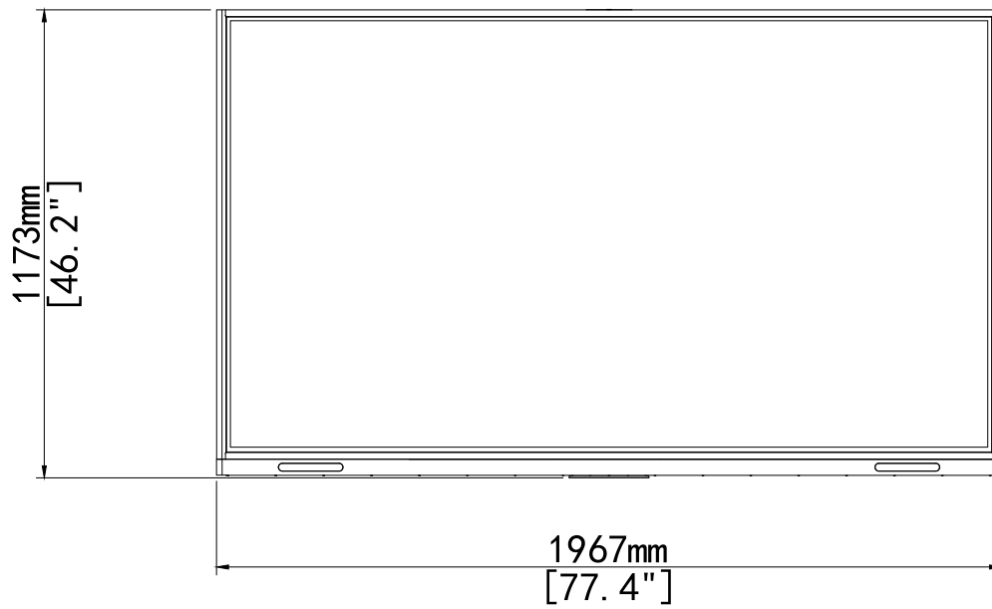
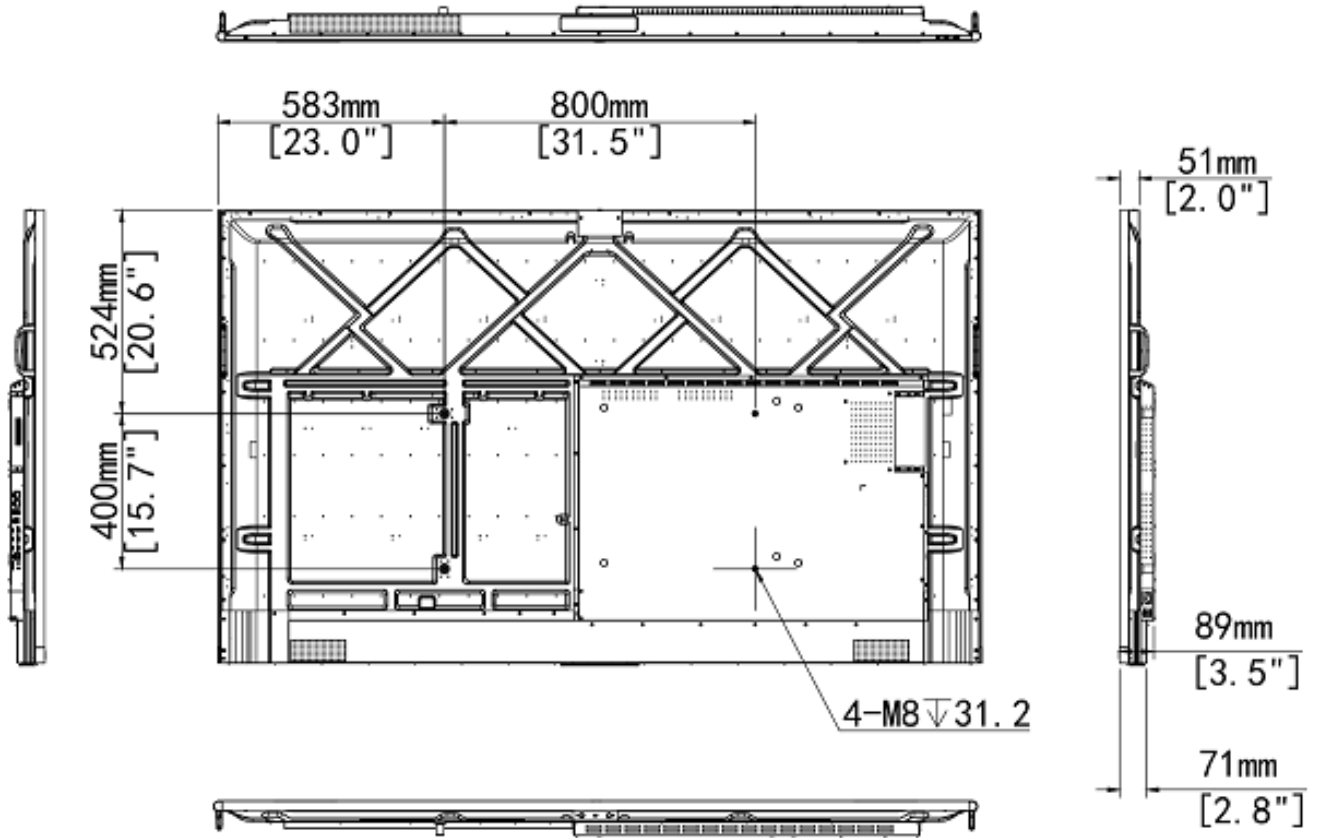
Pluggable MIC Module

Model	HB-7199-MC04
General	
Specification	Omni-directional 4-array
Pickup distance (m)	8
Product dimensions (W*H*D)(mm)	200*50*38
Function	Supports echo cancellation, intelligent noise reduction, and voice enhancement

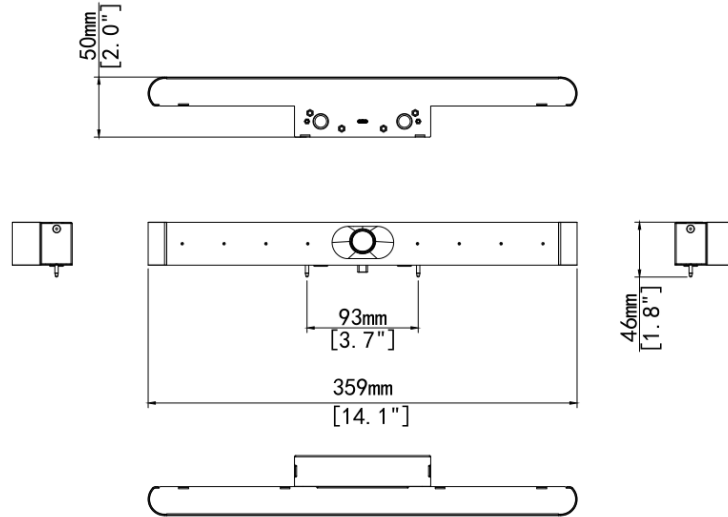
Appearance

Dimensions

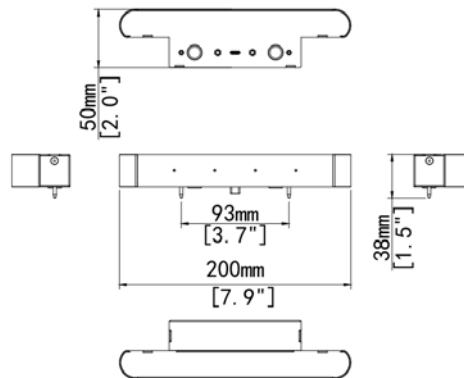
Smart interactive display:



Pluggable 4K Camera Module:

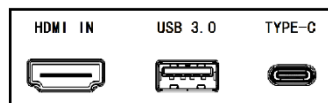


Pluggable MIC Module:

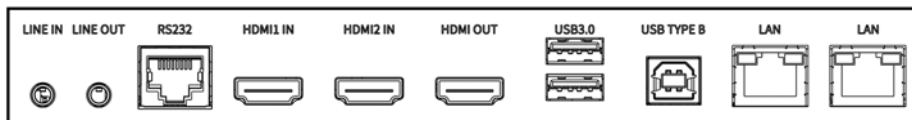


Interfaces

Front interfaces



Side interfaces



Example of module installation

Pluggable 4K Camera Module:



Pluggable MIC Module:



Order Information

Model	Remarks
MW3586-U-E	86" Smart interactive display
HB-7199-CA08	Pluggable 4K Camera Module (optional)
HB-7199-MC04	Pluggable MIC Module (optional)
HB-7199-TP	Wireless screen sharing dongle (optional)
HB-4365	65" to 86" Wall mount (optional)
HB-8765-S	65" to 86" Mobile stand (optional)
HB-7099-M1	Pluggable PC module with i5 processor (Windows 10, not activated) (optional)
HB-7099-S1	Pluggable PC module with i7 processor (Windows 10, not activated) (optional)
LIS-WIN10-V	OS-Windows 10-1 to 1 license-IoT Enterprise Value version (with i5 processor OPS PC module) (optional)
LIS-WIN10-H	OS-Windows 10-1 to 1 license-IoT Enterprise High End version (with i7 processor OPS PC module) (optional)

Zhejiang Uniview Technologies Co.,Ltd.

Building No.10, Wanlun Science Park, Jiangling Road 88, Binjiang District, Hangzhou, Zhejiang, China

Email: overseasbusiness@uniview.com; globalsupport@uniview.com

<http://www.uniview.com>

©2022 Zhejiang Uniview Technologies Co.,Ltd. All rights reserved.

*Product specifications and availability are subject to change without notice.