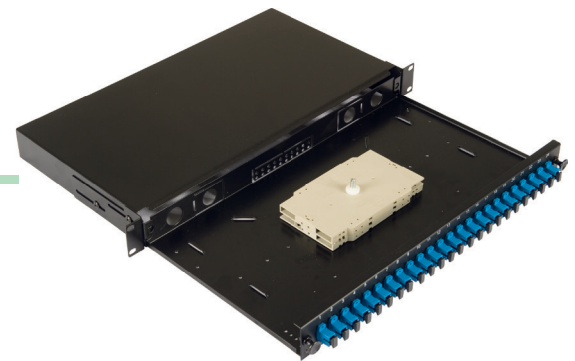
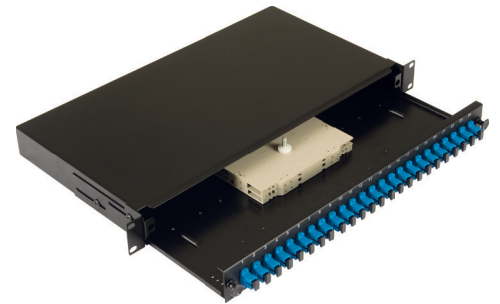




OptiSlide

1RU Fiber Termination Patch/Splice Panel

The OptiSlide 1RU sliding patch panel system in its basic form is supplied with the panels unloaded without adaptors ready for you to install the adaptor of your choice. The panel can also be pre-loaded complete with the required adaptor and simple splice management kit, or preloaded with pigtails to meet your project needs. The tray is locked in place with two simple to operate plastic latches, when fully extended the tray is designed to lower to 45°, or move the tray to the side and it will lock to lower only 10°. This provides the perfect working platform for simple installation or easy maintenance and access even after the panel is installed in the rack. This solution allows for easy access to the front patch cords as well as the splice trays and pigtails after being pulled out. Standard panels are available empty for complete field configuration, half-loaded with adaptor plates for field termination and cable assembly installation, or stubbed with a factory-installed cable assembly of a user specified length.

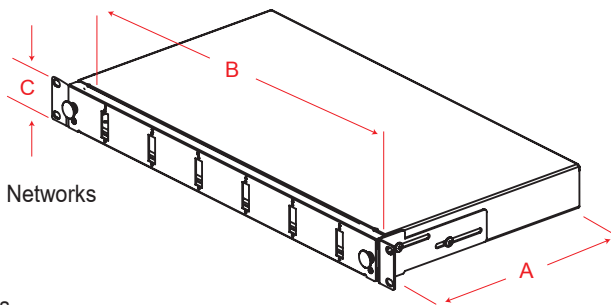


Features

- ✓ Up to 48 fibres in 1RU
- ✓ Printed port numbers on the front plate
- ✓ Available with different front plates (sold separately to reduce stock value) for all type of connectors
- ✓ Adjustable depth in rack
- ✓ Rear cable entry options
- ✓ Light in weight and robust structure

Specifications

- ✓ Cold Rolled Steel Construction
- ✓ Durable textured powder coat finish available in black(RAL9005) or Light Grey(RAL7035)
- ✓ Universal 19" rack compatibility
- ✓ Cable Entry 21mm(2pcs), Cable Entry 23mm(2pcs)
- ✓ Compliant to RoHS

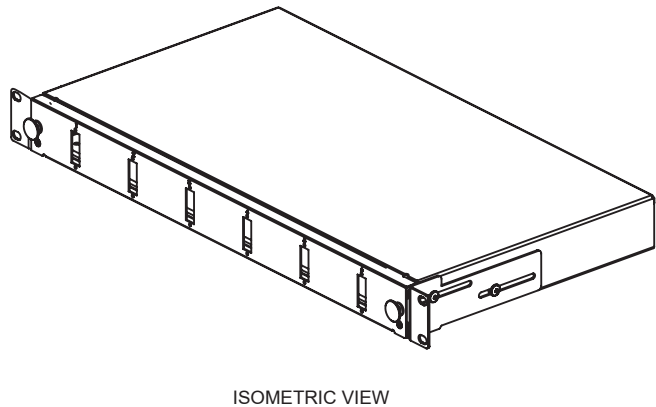
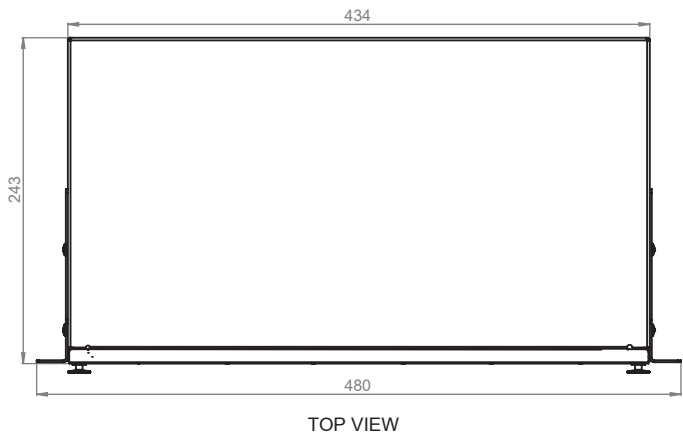
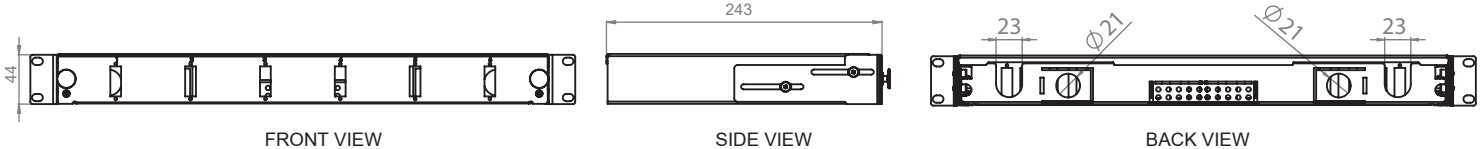


Applications

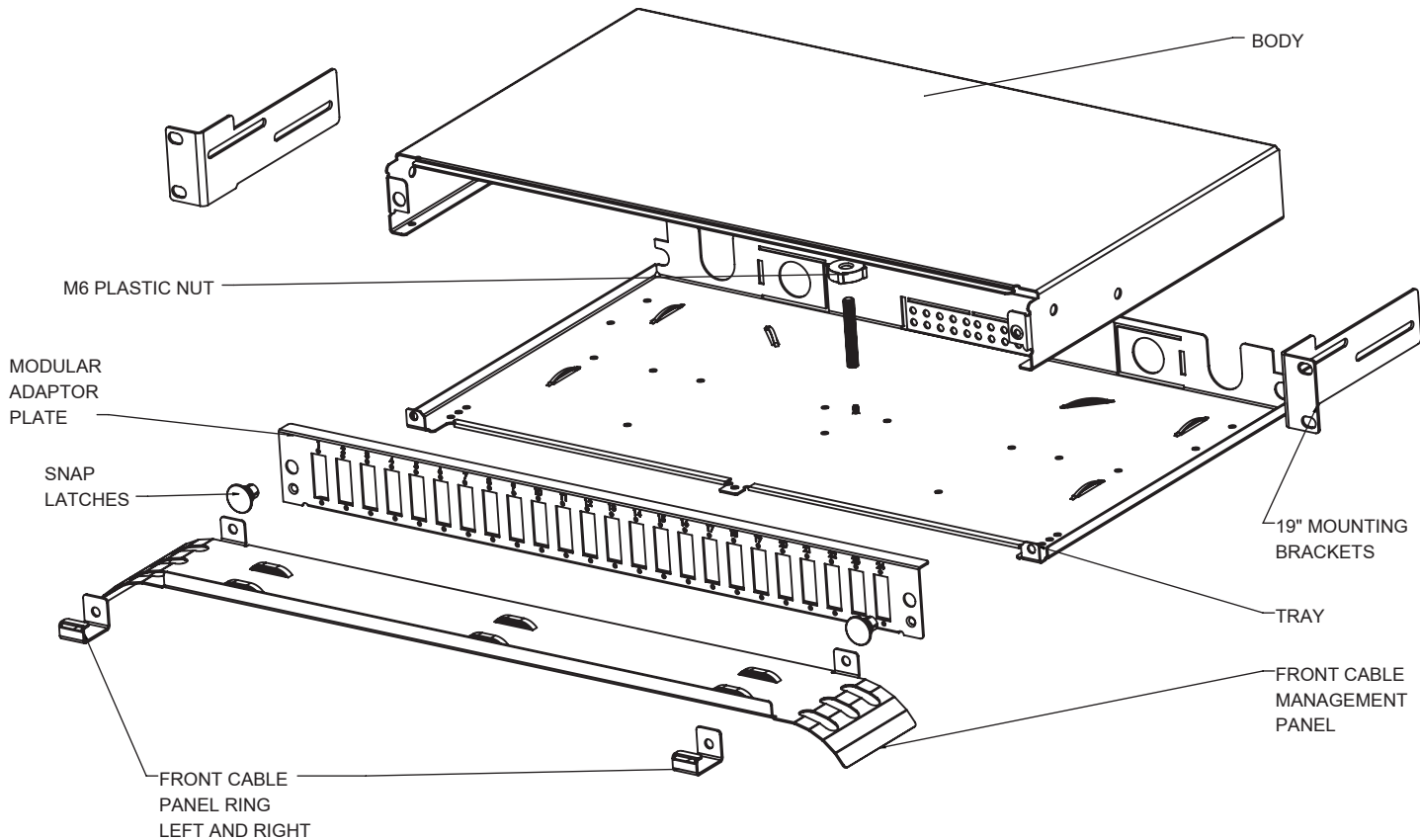
- ✓ Telecommunications Networks
- ✓ Data Centers
- ✓ Customer Premise
- ✓ LAN / WAN Networks
- ✓ Data Communications
- ✓ Indoor Applications

Dimensions

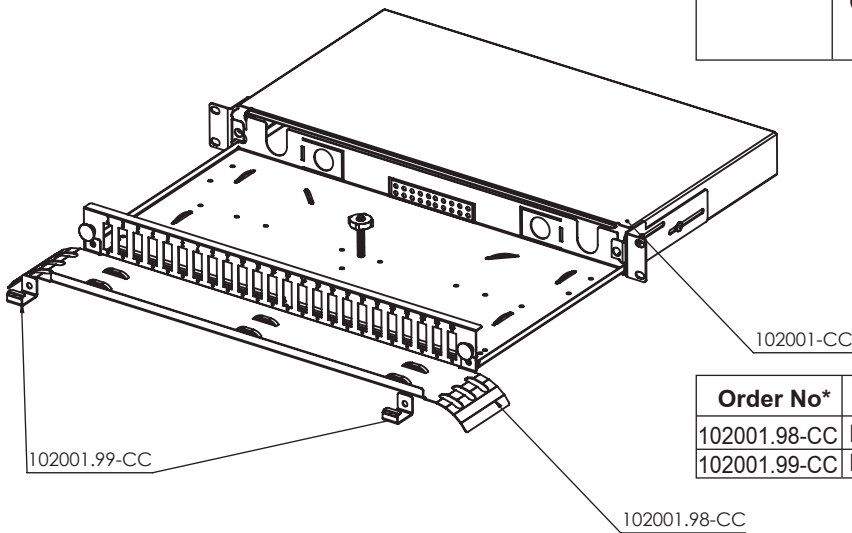
DEPTH A (mm)	WIDTH B (mm)	HEIGHT C (mm)	RACK UNITS	CAPACITY	UNLOADED WEIGHT
243	434	44	1	24/48	2,3 kg



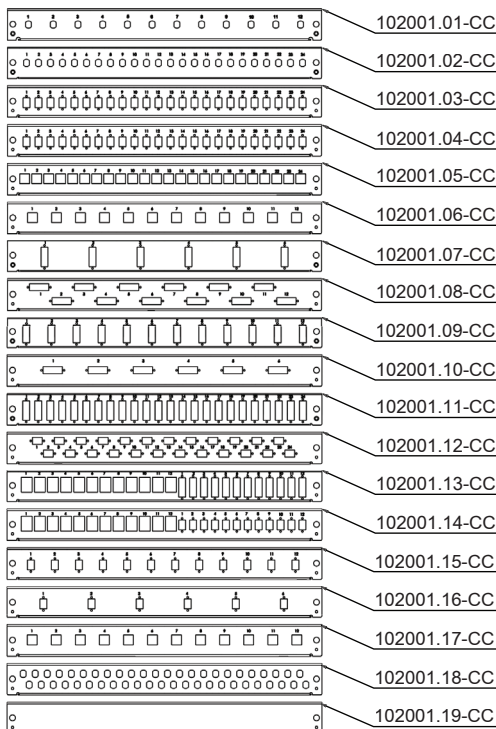
EXPLODED VIEW



Order No*	Product Definition
102001-CC	OptiSlide 1RU Fibre Optic Termination Panel,19"- Sliding Mechanically, without front plate, Colour: Black-RAL9005 or Light Grey-RAL7035, (1pcs. PG13.5 Plastic Gland, 1pcs. PG16 Plastic Gland, 6pcs. Adhesive Bunny Clips, 4pcs. 2.5mmX10 Cable Ties, 2pcs. Plastic Snap Latches, 5pcs. M3 Fixing Screw)



Order No*	OptiSlide 1RU Optional Parts
102001.98-CC	Front Cable Management Panel
102001.99-CC	Front Cable Management Rings Left&Right



Order No*	OptiSlide 1RU Front Plate Options
102001.01-CC	12 ST or 12 FC (D-hole) 1RU Front Plate
102001.02-CC	24 ST or 24 FC (D-hole) 1RU Front Plate
102001.03-CC	24 LC Duplex or 24 E2000 Simplex or 24 SC Simplex 1RU Front Plate
102001.04-CC	24 MTP or 24 MPO 1RU Front Plate
102001.05-CC	24 LC Duplex Square-Cut 1RU Front Plate
102001.06-CC	12 LC Duplex Square-Cut 1RU Front Plate
102001.07-CC	6 SC Duplex or 6 LC Quad Vertical 1RU Front Plate
102001.08-CC	12 SC Duplex or 12 LC Quad Horizontally Shifted 1RU Front Plate
102001.09-CC	12 SC Duplex or 12 LC Quad Vertical 1RU Front Plate
102001.10-CC	6 SC Duplex or 6 LC Quad Horizontal 1RU Front Plate
102001.11-CC	24 SC Duplex or 24 LC Quad Vertical 1RU Front Plate
102001.12-CC	24 LC Duplex or 24 E2000 Simplex or 24 SC Simplex Horizontally Shifted 1RU Front Plate
102001.13-CC	12 Keystone + 12 SC Duplex Vertical (LC Quad) 1RU Front Plate
102001.14-CC	12 Keystone + 12 LC Duplex or 12 E2000 Simplex or 12 SC Simplex 1RU Front Plate
102001.15-CC	12 LC Duplex or 12 E2000 Simplex or 12 SC Simplex 1RU Front Plate
102001.16-CC	6 LC Duplex or 6 E2000 Simplex or 6 SC Simplex 1RU Front Plate
102001.17-CC	12 E2000 Duplex Compact (RdM) 1RU Front Plate
102001.18-CC	48 ST or 48 FC (D-hole) 1RU Front Plate
102001.19-CC	1RU Dummy Plate

Ordering Information

* CC=LG for Light Grey RAL 7035 & BL for Black RAL 9005 for customers to define while ordering.